



**Catalogue**  
**FOOD SERVICE**  
**Chapter**  
**COOKING**

**Specific model**  
M-G915 BM LPG 230V 1N 60Hz

19075829

12/07/2023

**DENOMINATION:**

Indirect heating boiling pans with bain marie system, LPG gas 60 Hz, 150 L capacity, 900 range.

**DESCRIPTION :**

- Surface tops manufactured in 2 mm thick AISI-304 stainless steel.
- Laser-cut joints, automatic welding and polishes. Screws hidden from view.
- Double walled lid balanced by means of a hinge with front handle, with diagonal opening to 75° which allows the lid to be kept open in any position.
- Well stamped into the surface top by robotic welding, manufactured in AISI-304 stainless steel, with the bottom of the well in AISI-316L stainless steel.
- Well filling with hot or cold water by electrovalve, activated with a single switch located on the front panel.
- Well emptying by 2" safety valve with handle in athermic material and safe and effortless handling.
- Robust and reliable filter for draining the well manufactured in AISI-304 stainless steel. Easily extractable.
- Controls with protective base and system against water infiltration.
- High temperature enamelled cast iron flue protector.
- Access to the components from the front.
- Machines with IPX5 grade water protection."
- "- Group of optimised combustion stainless steel tubular burners, controlled by energy regulator and by pressure switch.
- Control by energy regulator and by pressure switch, permitting lower water and energy consumption.
- Ignition of group of burners by spark train. "
- "- Bain marie chamber around the well, with automatic filling system when the machine is connected.
- Automatic chamber level control with quadruple security: pressure switch to control the pressure in the chamber, overpressure security valve, thermostat to limit overheating in the chamber and pressure gauge incorporated into the surface top.
- Automatic flushing of the chamber.
- Heating at the bottom of the pan acts on the water in the surrounding chamber, meaning that the saturated steam generated at a temperature of 107 °C heats the bottom and sides of the well in a uniform manner. The temperature reached is lower than that obtained with direct heating.
- Stamped pan floor to avoid deformations.
- Indicator light to show when the machine is connected and when it is heating. "

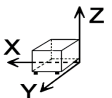
**POSSIBLE OPTIONS :**

- 230 1N- Transformation A 230 V single phase
- 230 III - A 230 V three-phase transformation without neutral
- Marine Transformation for boat - Tilting and boiling pans

**POSSIBLE ACCESSORIES :**

- ACCESSORIES BOILING PANS KORE
- KORE WHEELS
- TALL CHIMNEY KORE

**DIMENSIONS**



X Width	800 mm	X Gross width	840 mm
Y Depth	930 mm	Y Gross depth	1022 mm
Z Height	850 mm	Z Gross height	1255 mm
Net Weight	120,0 kg	Gross Weight	150,0 kg
Net volume	0,630 m3	Gross volume	1,077 m3

**ELECTRICITY TECHNICAL SPECIFICATIONS**

Electric power	0,100 kW
Amperage (A)	2A
Voltage	230V - 1N
Electric frequency	60Hz

**GAS TECHNICAL SPECIFICATIONS**

Gas type	LPG
Gas power	24,00 kW
Gas consumption	1,840 kg/h
Regulated	LPG G30/G31 28-30/37 mbar NG G20/G25/G25.1 20/25/25 mbar

**WATER TECHNICAL SPECIFICATIONS**

Pressure	H2O: 200-400kPa(2-4bar)
----------	-------------------------

**CONNECTIONS TECHNICAL SPECIFICATIONS**

Gas diameter 1	R3/4"
Water inlet diameter	3/4"





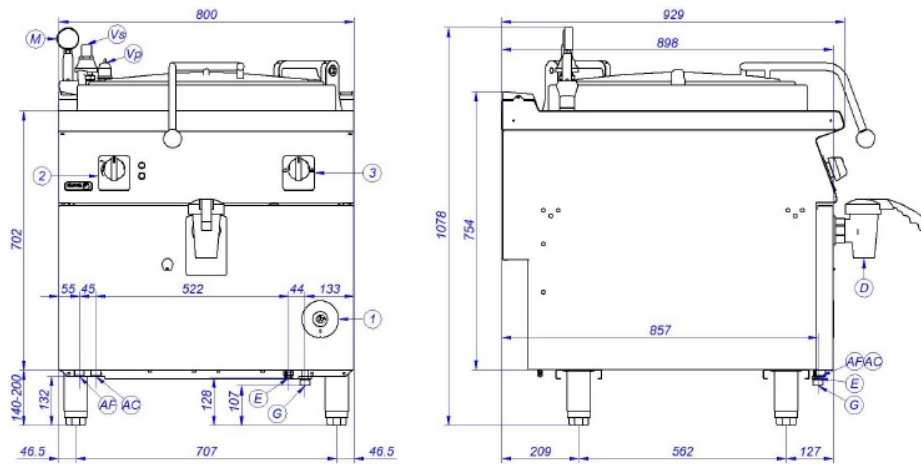
**Catalogue**  
FOOD SERVICE  
**Chapter**  
COOKING

**Specific model**  
M-G915 BM LPG 230V 1N 60Hz

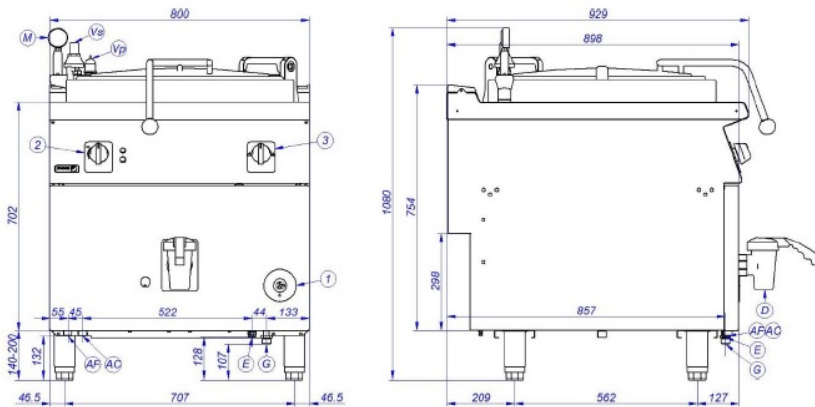
19075829

12/07/2023

**M-G910 BM**



**M-G915 BM**



- |    |                          |                     |
|----|--------------------------|---------------------|
| AF | Entrada de Agua Fría     | Cold water Inlet    |
| AC | Entrada de Agua Caliente | Hot water Inlet     |
| E  | Conexión eléctrica       | Electric connection |
| D  | Desagüe                  | Drainage            |
| G  | Entrada de Gas           | Gas Inlet           |
| M  | Manómetro                | Manometer           |
| Vs | Válvula de seguridad     | Safety valve        |
| Vp | Válvula de presión       | Pressure Valve      |
| 1  | Grifo válvula de gas     | Gas valve tap       |
| 2  | Regulador de energía     | Energy regulator    |
| 3  | Conmutador de agua       | Water switch        |