



# DRYING

## SINGLE POCKET DRYERS ADVANCE+ SR-11/14 TP2 PLUS

### CHARACTERISTICS

#### TP2

- User friendly and totally programmable 7" TP2.
- USB Connection.
- Online platform for programming, telemetry, data analysis...thanks to the IoT.
- Videos on display: ads, instructions, etc.
- 37 languages.

#### OUTSTANDING FEATURES

- Reversing drum action as standard.
- Stainless steel drum as standard.
- Frequency inverter as standard.

#### EFFICIENCY

- Intelligent humidity control with drum inlet temperature control.
- Efficient air recirculation system.
- Double door glass.
- Optimized system of mixed airflow.
- Big fluff filter.

#### VERSATILITY

- Make to order - customisation.
- Wet Cleaning.

#### CONNECTIVITY

- Standard IoT FagorKconnect.
- Management of laundries: OPL and COIN.

#### ERGONOMICS

- Drawer as fluff filter, made of stainless steel.
- Biggest door diameters.
- Opening sense of door adjustable on site.

#### MAINTENANCE

- Hinged panel: easy and ergonomic access.
- Technical menu: statistics for technicians.

#### OTHERS

- Grey skinplate outer casing, stainless steel look.
- Integrated Fire Extinguishing System.
- Drum with stamped holes.
- Anti-wrinkle at the end of the cycle.
- Heating options: electric, gas and steam.
- CE approved.

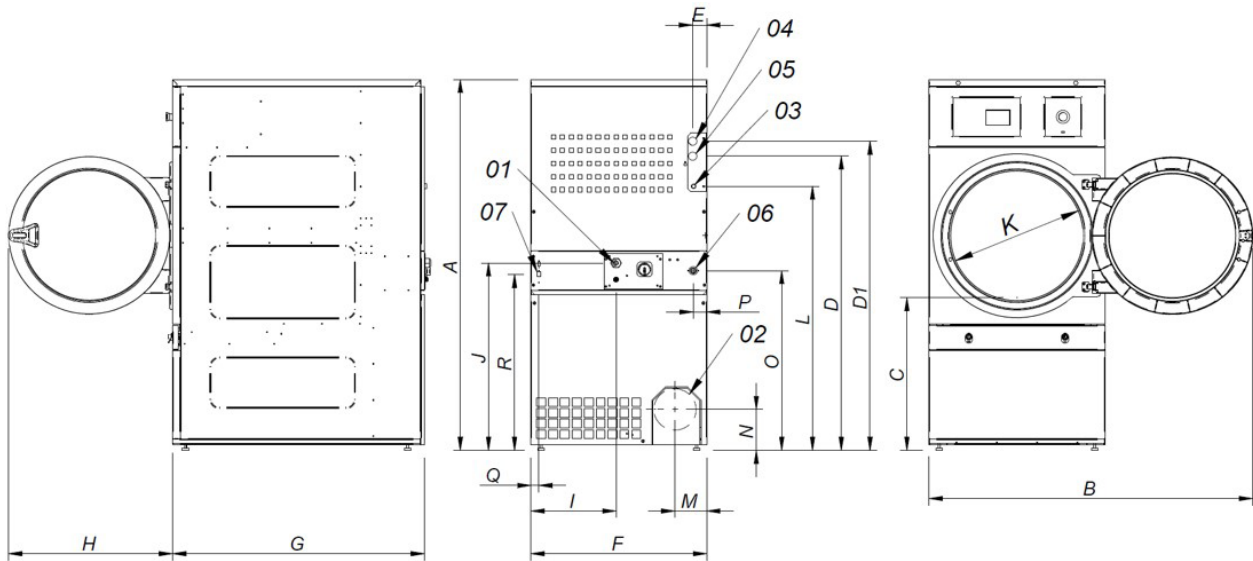
#### OPTIONS

- Opposite door opening.
- Tropicalized model.
- Dosing/spraying system.
- Back panel external air + filter.
- Fluff filter with grid 0,6mm (standard is 0,3mm).
- Fluff filter with grid 1,2mm (standard is 0,3mm).
- Stainless steel front and side panels
- Front panel in stainless steel
- Steam battery in stainless steel.
- Low pressure steam battery.
- Reduced power (12kw instead of 18kw) for SR-14.
- Other voltages available.
- Maritime wooden packing.



	U.	SR-11 TP2 PLUS	SR-14 TP2 PLUS
<b>CAPACITY</b>			
Capacity 1/18	Kg	11,7	15
	Lb	25,7	33,1
Capacity 1/20	Kg	10,5	13,5
	Lb	23,1	29,8
<b>DRUM</b>			
Ø Drum	mm	750	750
	inch	29,53	29,53
Drum length	mm	475	610
	inch	18,7	24,02
Drum volume	l	210	270
	cu ft	7,41	9,53
Ø Door	mm	574	574
	inch	22,6	22,6
Floor to door center	mm	976	976
	inch	38,43	38,43
Floor to lower part of the door	mm	618	618
	inch	24,33	24,33
Drum motor power	kW	0,37	0,37
<b>ELECTRIC POWER</b>			
Installed heating power	kW	12	18
Installed electrical power	kW	12,97	18,97
Evaporation capacity	l/h	11	14,5
	USgallon/h	2,91	3,8
Hourly output	Kg/h	21,7	29
	Lb/h	47,8	63,9
<b>GAS POWER</b>			
Installed heating power gas	Kcal/h	17638	17638
	Btu/h	70000	70000
Installed heating power gas	kW	20,51	20,51
Installed electrical power	kW	0,97	0,97
Instant propane gas consumption (G31)	Kg/h	1,76	1,76
	Lb/h	3,88	3,88
Instant natural gas consumption (G20)	m³/h	2,17	2,17
	cfm	1,28	1,28
Evaporation capacity	l/h	15	15,6
	USgallon/h	3,95	4,12
Hourly output	Kg/h	31,3	32,5
	Lb/h	68,9	71,6
Ø Gas inlet	BSPP ISO 228-1	1/2"	1/2"
<b>STEAM POWER</b>			
Installed heating power steam	kW	30	30
	Btu/h	102364	102364
Installed electrical power	kW	0,97	0,97
Steam consumption (8 barG) - Stándar	Kg/h	53	53
Steam consumption (116 psiG)	Lb/h	63,8	63,8
Steam pressure - Standard	barG	6 - 9	6 - 9
	psiG	87 - 130.5	87 - 130.5
Steam inlet - steam outlet - Standard	BSPT- ISO7.1	3/4"	3/4"
Steam inlet - condensate outlet	NPT ANSI B1.20.1 Tapered	3/4"	3/4"
Steam consumption (5 bagG) - Low pressure	Kg/h	57	57
Steam consumption (72,5 psiG) - Low pressure	Lb/h	68,7	68,7
Steam pressure - Low Pressure	barG	3 - 6	3 - 6
	psiG	43.5 - 88	43.5 - 90
Steam Inlet - Steam Outlet - Low Pressure	BSPT - ISO7.1	1"	1"

VENTILATION					
Nominal air flow	m³/h	1.200	1.200		
	cfm	706,29	706,29		
Air outlet Ø	mm	200	200		
	inch	7,87	7,87		
Fan motor power	kW	0,55	0,55		
HEAT DISSIPATION					
Total max heat dissipation	kW	0,96	1,44		
	kW	3277,6	4916,4		
Front pannel max heat dissipation	Btu/h	0,6	0,9		
	Btu/h	2048,5	3072,7		
CONNECTIONS					
Tension 230V - I + N + T	Nº x mm2 / A	3 x 25 / 63 A	3x1.5 / 16 A	-	3x1.5 / 16 A
Tension 230V - III + T	Nº x mm2 / A	4 x 10 / 40 A	3x1.5 / 16 A	4 x 16 / 63 A	3x1.5 / 20 A
Tension 400V - III + N + T	Nº x mm2 / A	5 x 4 / 25 A	3x1.5 / 16 A	5 x 10 / 32 A	3x1.5 / 20 A
DIMENSIONS / PACKING DIMENSIONS					
Net width / Gross width	mm	785 / 865	785 / 865		
	inch	30,91 / 34,06	30,91 / 34,06		
Net depth / Gross depth	mm	855 / 940	989 / 1.074		
	inch	33,66 / 37,01	38,94 / 42,28		
Net height / Gross height	mm	1.694 / 1.840	1.694 / 1.840		
	inch	66,69 / 72,44	66,69 / 72,44		
Net weight / Gross weight	Kg	172 / 180	180 / 190		
	Lb	379,26 / 396,83	396,83 / 418,88		
OTHERS					
Sound level	dB	64	65		



- 01. Power supply
- 02. Fumes output Ø200
- 03. Gas inlet 1/2"
- 04. Steam inlet 3/4"
- 05. Condensate outlet 3/4"
- 06. Sprinkler valve 3/4"
- 07. Ethernet connection

	A	B	C	D	D1	E	E1	F	G	H	I	J	K	L	M	N	O	P	Q	R
SR-11 TP2 PLUS	1694	1447	689	1354	1422	68	68	785	855	735	380	870	575	1226	133	180	830	65	35	805
SR-14 TP2 PLUS	1694	1447	689	1354	1422	68	68	785	989	735	380	870	575	1226	133	180	880	65	35	805