



PLANETARY MIXER BM-5

Table-top model with 5 l / qt bowl.



Net weight: 16.5 kg
Noise level (1m.): <80 dB(A)
Background noise: 45 dB(A)

Crated dimensions
360 x 430 x 565 mm
Gross weight: 20.1 kg

AVAILABLE MODELS

1500170 Food mixer BM-5 230/50-60/1

1500175 Food mixer BM-5 120/50-60/1

* Ask for special versions availability

DYNAMIC PREPARATION
PLANETARY MIXERS

SALES DESCRIPTION

Designed for medium duty use.

**Professional food mixer for preparing dough (bread, cake...), egg whites (soufflés, meringue...), sauces (mayon-
naise...) and minced meat mixtures.**

- ✓ Compact model, ideal for establishments of up to 50 seats.
- ✓ Continuous variable electronic speed control.
- ✓ Equipped with an extractible safety guard.
- ✓ Lever operated bowl lift.
- ✓ Double micro switch for bowl position and safety guard.
- ✓ NSF-International certified appliance (complying with Hygiene, Clean-
ing and Food Material regulations).

INCLUDES

- ✓ Stainless steel bowl.
- ✓ Beater spatula for soft dough.
- ✓ Spiral hook for heavy dough.
- ✓ Balloon whisk.

ACCESSORIES

- Bowls for planetary mixers

SPECIFICATIONS

Bowl capacity: 5 l

Capacity in flour (60% water): 1.5 kg

Tool speed: 85 - 495 rpm

Total loading: 250 W

External dimensions (W x D x H)

- ✓ Width: 310 mm
- ✓ Depth: 382 mm
- ✓ Height: 537 mm



product sheet
updated 29/11/2024

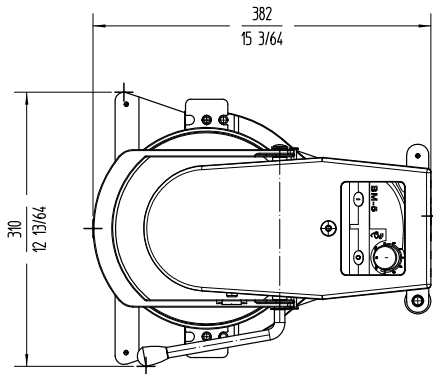
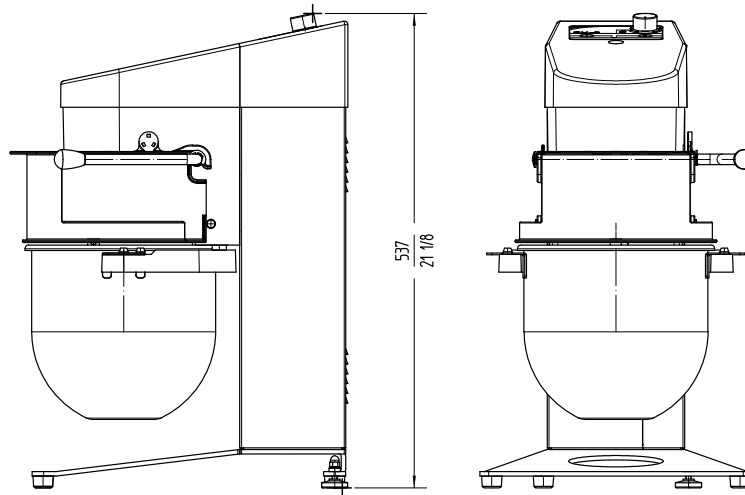


PLANETARY MIXER BM-5

Table-top model with 5 l / qt bowl.



DYNAMIC PREPARATION
PLANETARY MIXERS



sammic | www.sammic.com
Food Service Equipment Manufacturer

Polígono Basarte, 1. phone +34 943 15 72 36
20720 Azkoitia, Spain sales@sammic.com



Project	Date
Item	Qty
Approved	

product sheet
updated 29/11/2024