



Catalogue
FOOD SERVICE
Chapter
COOKING

Specific model
F-G9121 R NG 230V 1N 50Hz 2C

19075616

11/11/2021

DENOMINATION:

Gas fryer, NG 50Hz, 1 stamped tank of 21 L, 900 range.

DESCRIPTION :

- Surface tops manufactured in 2 mm thick AISI-304 stainless steel.
- Laser-cut joints, automatic welding and polishes. Screws hidden from view.
- Tank stamped into the surface top with robotized weld and polish.
- Cold zone in the lower part of the well, which helps to maintain the quality and characteristics of the oil in use for longer.
- Safety thermostat in all models.
- Unloading of oil from the well by means of a robust and reliable ball valve, resistant to high temperatures.
- With individual lids for each well.
- High temperature enamelled cast iron flue protector.
- Access to the components from the front.
- Machines with IPX5 grade water protection.
- Voltage for electric models:
- 400 V 3+N . Ask for other models.
- Thermostatic temperature control between 60 and 200 °C.
- High-power machines which heat up very fast and with a high power:litre ratio (up to 1.00 kW/litre in gas models).
- Gas models with three longitudinal heating tubes integrated into the well.
- High efficiency gas burners.
- Ignition by spark train for the gas models.

POSSIBLE OPTIONS :

- 230 1N- Transformation A 230 V single phase
- 230 III - A 230 V three-phase transformation without neutral
- MARINE - Other machines - Ship transformation - 440 III

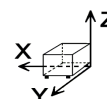
POSSIBLE ACCESSORIES :

- FOOD SERVICE
- STANDS 900
- REFRIGERATED STANDS
- ACCESSORIES KORE
- FRYER ACCESSORIES KORE
- KORE WHEELS
- TALL CHIMNEY KORE

SUPPLIED ACCESSORIES:

- 12128044 Small basket F9-21 2

DIMENSIONS



X Width	400 mm	X Gross width	440 mm
Y Depth	930 mm	Y Gross depth	1022 mm
Z Height	850 mm	Z Gross height	1255 mm
Net Weight	75,0 kg	Gross Weight	90,0 kg
Net volume	0,320 m3	Gross volume	0,564 m3

ELECTRICITY TECHNICAL SPECIFICATIONS

Voltage	230V - 1N
Electric frequency	50Hz

GAS TECHNICAL SPECIFICATIONS

Gas type	NG
Gas power	22,21 kW
Gas consumption	2,120 m3/h
Regulated	LPG G30/G31 28-30/37 mbar NG G20/G25/G25.1 20/25/25 mbar

CONNECTIONS TECHNICAL SPECIFICATIONS

Gas diameter 1	R3/4"
----------------	-------



Catalogue
FOOD SERVICE

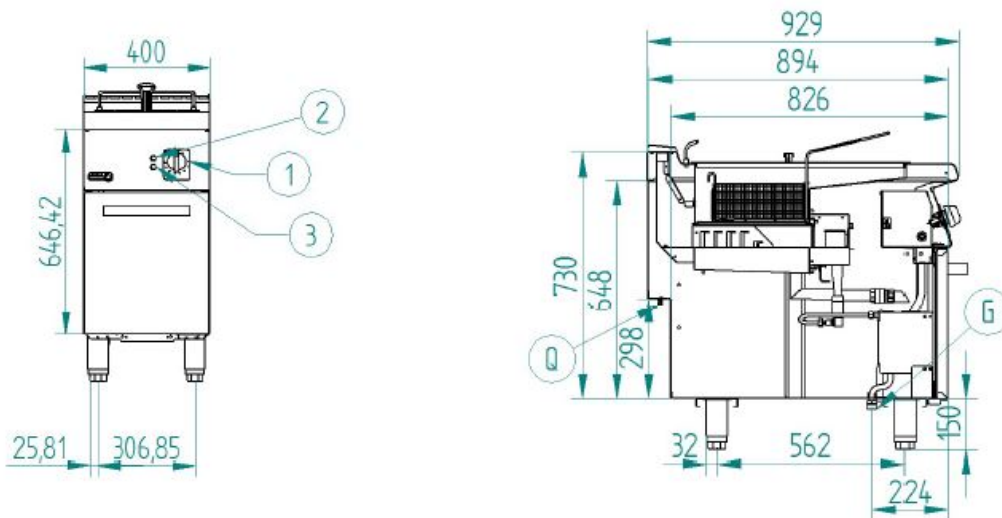
Capítulo
COOKING

Modelo
F-G9121 R NG 230V 1N 50Hz 2C

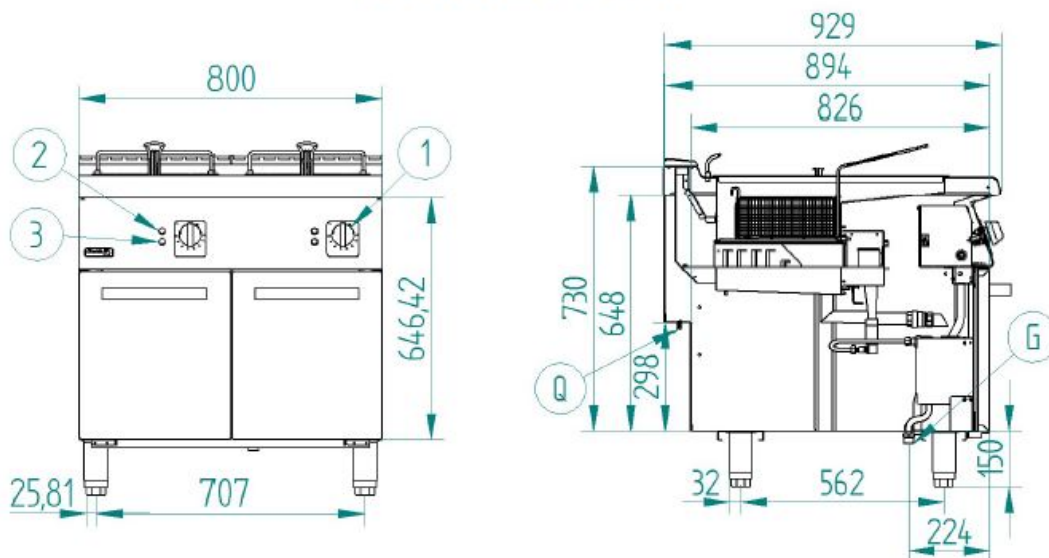
19075616

11/11/2021

F-G9115 & F-G9121



F-G9215 & F-G9221



Q – Conexión equipotencial
G – Entrada de Gas
1 – Grifo válvula de gas
2 – Piloto verde
3 – Piloto ambar

Equipotential connection
Gas Inlet
Gas valve tap
Green pilot
Ambar pilot