



Catalogue
FOOD SERVICE
Chapter
COOKING

Specific model
F-E9115 400V 3N 50/60Hz 1C

19078867

11/11/2021

DENOMINATION:

Electric fryer, 1 stamped tank of 15 L, 900 range.

DESCRIPTION :

- Surface tops manufactured in 2 mm thick AISI-304 stainless steel.
- Laser-cut joints, automatic welding and polishes. Screws hidden from view.
- Tank stamped into the surface top with robotized weld and polish.
- Cold zone in the lower part of the well, which helps to maintain the quality and characteristics of the oil in use for longer.
- Safety thermostat in all models.
- Unloading of oil from the well by means of a robust and reliable ball valve, resistant to high temperatures.
- With individual lids for each well.
- High temperature enamelled cast iron flue protector.
- Access to the components from the front.
- Machines with IPX5 grade water protection.
- Voltage for electric models:
- 400 V 3+N . Ask for other models.
- Thermostatic temperature control between 60 and 200 °C.
- High-power machines which heat up very fast and with a high power:litre ratio.
- Electric models with AISI-304 stainless steel heating elements located inside the well, which can be swivelled by more than 90° for perfect cleaning.

POSSIBLE OPTIONS :

- 230 1N- Transformation A 230 V single phase
- 230 III - A 230 V three-phase transformation without neutral
- MARINE - Other machines - Ship transformation - 440 III

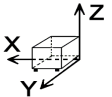
POSSIBLE ACCESSORIES :

- FOOD SERVICE
- STANDS 900
- REFRIGERATED STANDS
- ACCESSORIES KORE
- FRYER ACCESSORIES KORE
- KORE WHEELS

SUPPLIED ACCESSORIES:

- 12233189 Complete basket F-7-15l 1

DIMENSIONS



X Width	400 mm	X Gross width	440 mm
Y Depth	930 mm	Y Gross depth	1022 mm
Z Height	850 mm	Z Gross height	1255 mm
Net Weight	75,0 kg	Gross Weight	90,0 kg
Net volume	0,320 m3	Gross volume	0,564 m3

ELECTRICITY TECHNICAL SPECIFICATIONS

Electric power	12,000 kW
Amperage (A)	18A
Heating power	12,00 kW
Voltage	400V - 3N
Electric frequency	50/60Hz

CONNECTIONS TECHNICAL SPECIFICATIONS

Three-phase +N 400V wiring	4X2,5MM2+T
----------------------------	------------



Catalogue
FOOD SERVICE

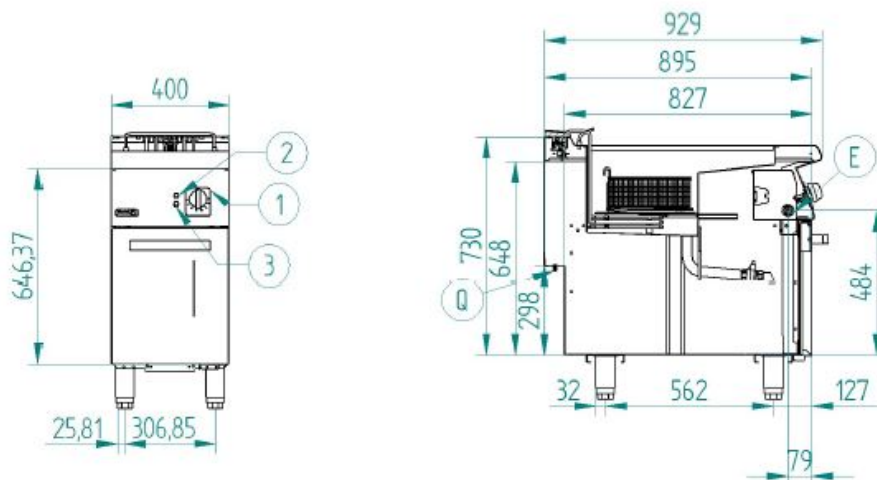
Capítulo
COOKING

Modelo
F-E9115 400V 3N 50/60Hz 1C

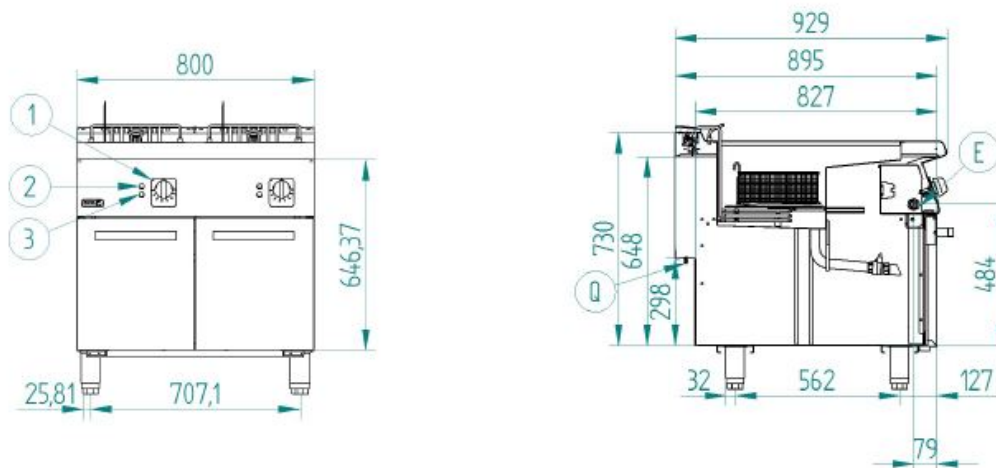
19078867

11/11/2021

F-E9115 & F-E9121



F-E9215 & F-E9221



E – Conexión eléctrica
Q – Conexión equipotencial
1 – Mando termostato
2 – Piloto verde
3 – Piloto ambar

Electrical connection
Equipontecial connection
Thermostat control
Green pilot
Ambar pilot