



**Catalogue**  
**FOOD SERVICE**  
**Chapter**  
**COOKING**

**Specific model**  
F-G7215 NG 230V 1N 50Hz 2C

19074794

04/09/2023

**DENOMINATION:**

Gas fryer, NG 50Hz, 2 tanks of 15 L, 700 range.

**DESCRIPTION :**

- "- Surface tops manufactured in 1.5 mm thick AISI-304 stainless steel.
- Laser-cut joints, automatic welding and polishing Hidden screws.
- Wells built into the surface top with robotic welding and polishing.
- Cold area in the lower part of the well which helps to preserve the characteristics and quality of the oil used for longer.
- Thermostatic temperature control, between 60 and 200 °C.
- Safety thermostat in all models.
- Fitted with individual lids for each well.
- High power machines that heat up quickly and have a high power - litre ratio (up to 1.00 kW/litre)."
- "- Floor model.
- Drainage of oil from the well through a mechanical ball valve which is robust, reliable and resistant to high temperatures. "
- "- Gas models with three longitudinal heat transfer tubes built into the well.
- High-efficiency gas burners
- Flue flush with the rest of the machines thanks to the perfect combustion achieved."

**POSSIBLE OPTIONS :**

- 230 1N- Transformation A 230 V single phase
- 230 III - A 230 V three-phase transformation without neutral
- MARINE - Other machines - Ship transformation - 440 III

**POSSIBLE ACCESSORIES :**

- FOOD SERVICE
- FRYER ACCESSORIES KORE
- KORE WHEELS
- TALL CHIMNEY KORE

**SUPPLIED ACCESSORIES:**

- 12233189 Complete basket F-7-15I 2

**DIMENSIONS**



X Width	800 mm	X Gross width	840 mm
Y Depth	730 mm	Y Gross depth	822 mm
Z Height	850 mm	Z Gross height	1255 mm
Net Weight	110,0 kg	Gross Weight	128,0 kg
Net volume	0,500 m3	Gross volume	0,867 m3

**ELECTRICITY TECHNICAL SPECIFICATIONS**

Electric power	0,100 kW
Amperage (A)	2A
Voltage	230V - 1N
Electric frequency	50Hz

**GAS TECHNICAL SPECIFICATIONS**

Gas type	NG
Gas power	30,00 kW
Gas consumption	4,160 m3/h
Regulated	NG G20/G25/G25.1 20/25/25 mbar

**CONNECTIONS TECHNICAL SPECIFICATIONS**

Gas diameter 1	R.3/4"G
Gas 2 diameter	R.3/4"G



**Catalogue**  
FOOD SERVICE  
**Chapter**  
COOKING

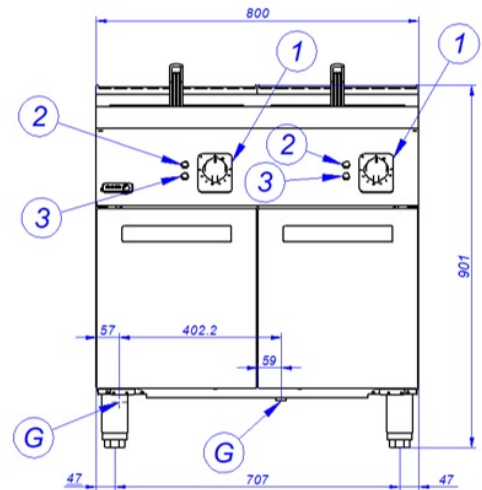
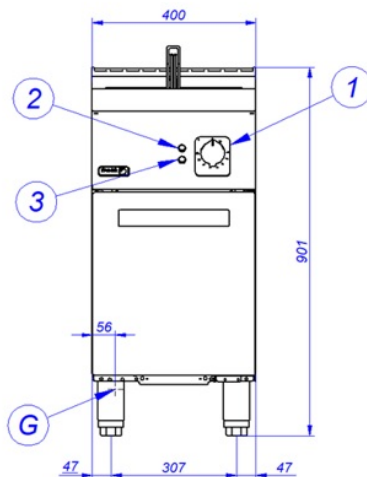
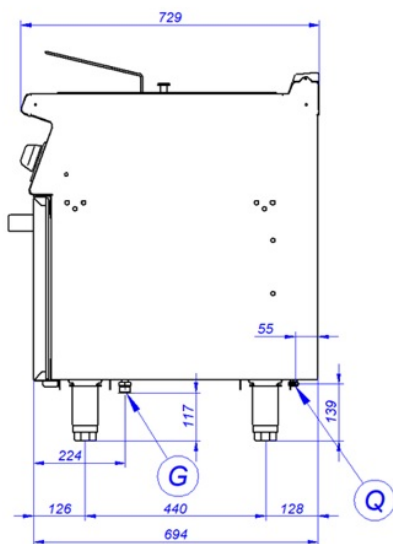
**Specific model**  
F-G7215 NG 230V 1N 50Hz 2C

19074794

04/09/2023

**F-G7115**

**F-G7215**



Q – Conexión equipotencial  
G – Entrada de Gas  
1 – Grifo válvula de gas  
2 – Piloto verde  
3 – Piloto ámbar

Equipotential connection  
Gas Inlet  
Gas valve tap  
Green pilot  
Ambar pilot

Connexion équipotentiel  
Entrée de gaz  
Robinet vanne gaz  
Lumière verte  
Lumière ambre