



Catalogue
FOOD SERVICE
Chapter
COOKING

Specific model
F-G7115 NG 230V 1N 50Hz 1C

19074785

04/09/2023

DENOMINATION:

Gas fryer NG 50 Hz, 1 tank of 15 L, 700 range.

DESCRIPTION :

- "- Surface tops manufactured in 1.5 mm thick AISI-304 stainless steel.
- Laser-cut joints, automatic welding and polishing Hidden screws.
- Wells built into the surface top with robotic welding and polishing.
- Cold area in the lower part of the well which helps to preserve the characteristics and quality of the oil used for longer.
- Thermostatic temperature control, between 60 and 200 °C.
- Safety thermostat in all models.
- Fitted with individual lids for each well.
- High power machines that heat up quickly and have a high power - litre ratio (up to 1.00 kW/litre)."
- "- Floor model.
- Drainage of oil from the well through a mechanical ball valve which is robust, reliable and resistant to high temperatures. "
- "- Gas models with three longitudinal heat transfer tubes built into the well.
- High-efficiency gas burners
- Flue flush with the rest of the machines thanks to the perfect combustion achieved."

POSSIBLE OPTIONS :

- 230 1N- Transformation A 230 V single phase
- 230 III - A 230 V three-phase transformation without neutral
- MARINE - Other machines - Ship transformation - 440 III

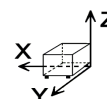
POSSIBLE ACCESSORIES :

- FOOD SERVICE
- FRYER ACCESSORIES KORE
- KORE WHEELS
- TALL CHIMNEY KORE

SUPPLIED ACCESSORIES:

- 12233189 Complete basket F-7-15l 1

DIMENSIONS



X Width	400 mm	X Gross width	440 mm
Y Depth	730 mm	Y Gross depth	822 mm
Z Height	850 mm	Z Gross height	1255 mm
Net Weight	60,0 kg	Gross Weight	75,0 kg
Net volume	0,250 m3	Gross volume	0,454 m3

ELECTRICITY TECHNICAL SPECIFICATIONS

Electric power	0,100 kW
Amperage (A)	2A
Voltage	230V - 1N
Electric frequency	50Hz

GAS TECHNICAL SPECIFICATIONS

Gas type	NG
Gas power	15,00 kW
Gas consumption	2,080 m3/h
Regulated	NG G20/G25/G25.1 20/25/25 mbar

CONNECTIONS TECHNICAL SPECIFICATIONS

Gas diameter 1	R.3/4"G
----------------	---------



Catalogue
FOOD SERVICE
Chapter
COOKING

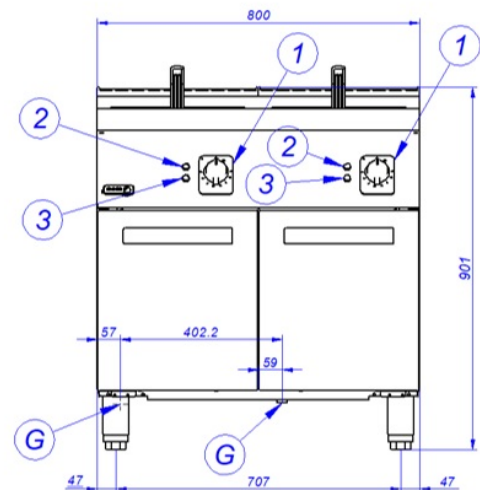
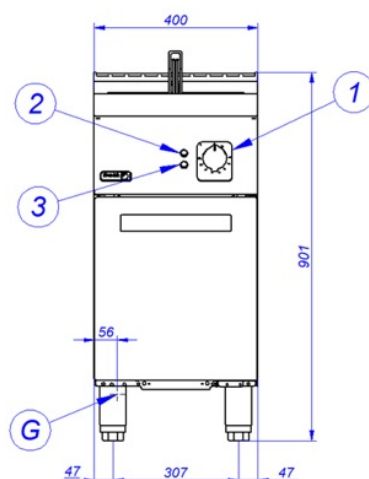
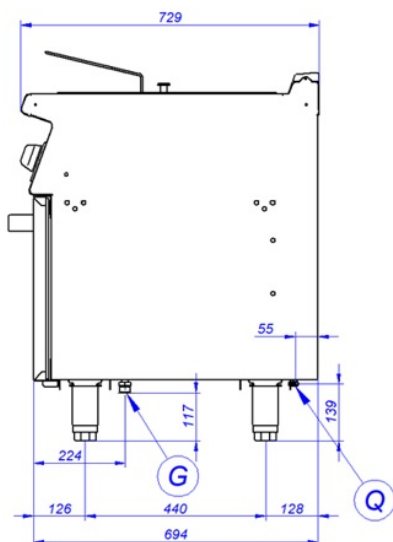
Specific model
F-G7115 NG 230V 1N 50Hz 1C

19074785

04/09/2023

F-G7115

F-G7215



Q – Conexión equipotencial
G – Entrada de Gas
1 – Grifo válvula de gas
2 – Piloto verde
3 – Piloto ámbar

Equipotential connection
Gas Inlet
Gas valve tap
Green pilot
Amber pilot

Connexion équipotentiel
Entrée de gaz
Robinet vanne gaz
Lumière verte
Lumière ambre