



Catalogue
FOOD SERVICE
Chapter
COOKING

Specific model
F-E7108 400V 3N 50/60Hz 1C

19072100

04/09/2023

DENOMINATION:

Electric fryer, 1 tank of 8 L, 700 range.

DESCRIPTION :

- "- Surface tops manufactured in 1.5 mm thick AISI-304 stainless steel.
- Laser-cut joints, automatic welding and polishing Hidden screws.
- Wells built into the surface top with robotic welding and polishing.
- Cold area in the lower part of the well which helps to preserve the characteristics and quality of the oil used for longer.
- Thermostatic temperature control, between 60 and 200 °C.
- Safety thermostat in all models.
- Fitted with individual lids for each well.
- High power machines that heat up quickly and have a high power - litre ratio (up to 1.00 kW/litre)."
- "- Countertop model.
- Drainage of oil from the well through a mechanical ball valve which is robust, reliable and resistant to high temperatures. The discharge control is located in the control panel."
- Electric models with AISI 304 stainless steel heating elements located inside the well which can be tilted by over 90° to ensure perfect cleaning.

POSSIBLE OPTIONS :

- 230 1N- Transformation A 230 V single phase
- 230 III - A 230 V three-phase transformation without neutral
- MARINE - Other machines - Ship transformation - 440 III

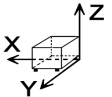
POSSIBLE ACCESSORIES :

- FOOD SERVICE
- ACCESSORIES KORE
- STANDS 700

SUPPLIED ACCESSORIES:

- 12237851 Basket F-E708 1

DIMENSIONS



X Width	400 mm	X Gross width	440 mm
Y Depth	730 mm	Y Gross depth	822 mm
Z Height	290 mm	Z Gross height	535 mm
Net Weight	27,0 kg	Gross Weight	40,0 kg
Net volume	0,080 m3	Gross volume	0,193 m3

ELECTRICITY TECHNICAL SPECIFICATIONS

Electric power	6,000 kW
Amperage (A)	8,7A
Heating power	6,00 kW
Voltage	400V - 3N
Electric frequency	50/60Hz

CONNECTIONS TECHNICAL SPECIFICATIONS

230 V three-phase wiring	3X16+T - 40 A
	3X2,5MM2+T
Single-phase 230V wiring	2X4MM2+T
Three-phase +N 400V wiring	3X1,5MM2+T+N



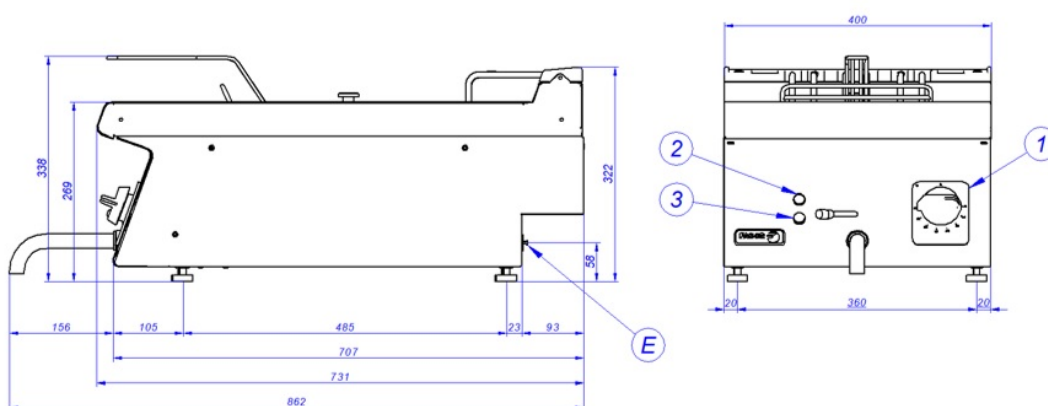
Catalogue
FOOD SERVICE
Chapter
COOKING

Specific model
F-E7108 400V 3N 50/60Hz 1C

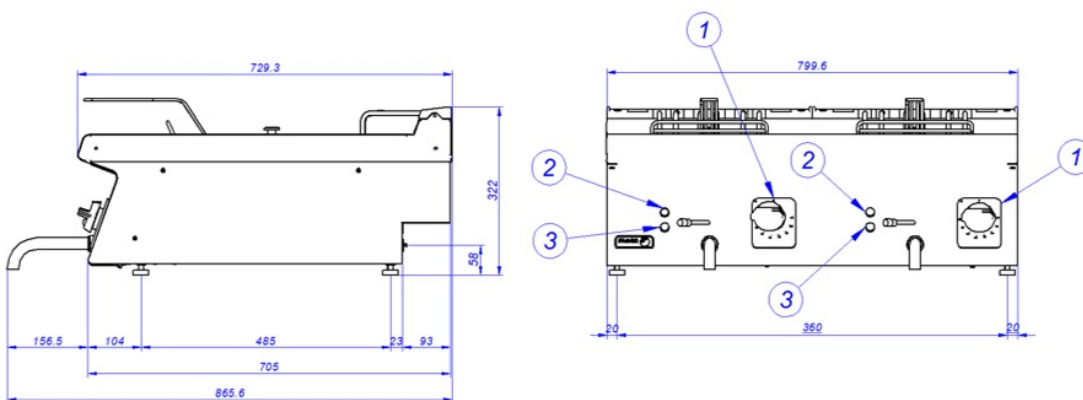
19072100

04/09/2023

F-E7108



F-E7208



E – Conexión eléctrica
Q – Conexión equipotencial
1 – Mando termostato
2 – Piloto verde
3 – Piloto ámbar

Electrical connection
Equipotential connection
Thermostat control
Green pilot
Ambar pilot

Connexion électrique
Connexion équipotential
Commande de thermostat
Lumière verte
Lumière ambre