



**Catalogue**  
**FOOD SERVICE**  
**Chapter**  
**COOKING**

**Model**  
**B-G705 LPG**

19074120

09/03/2020

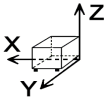
**GAS CHARCOAL, B-G705**

- Countertop machines.
- Deep-drawn surface tops manufactured in 1.5 mm thick AISI-304 stainless steel.
- Laser-cut joints, automatic welding and polishing. Hidden screws.
- Fitted with an opening to collect cooking grease and a tray to store it.
- Machines are fitted with removable 130 mm high guards to prevent splashes, made of stainless steel.
- Stainless steel feet with adjustable height.
- Group of two high-efficiency tubular burners (one group of two burners for halfmodule).
- Independent control for each group of burners through a safety valve with thermocouple.
- Burner ignition through electronic spark igniter.
- The burners heat the ceramic stones that are underneath a support grid so that they in turn heat the food on the grill.
- Cast iron grills which can be removed without tools, in 170 mm-wide sections
- The iron grills are reversible with two different finishes on each side:
  - Tilted and grooved with ridges for meat.
  - Horizontal and flat for fish and vegetables.
- These grills reach a very high temperature (400 °C), meaning that the surface of the product is quickly sealed and inside it remains much juicier.
- Two grids with dimensions of 515 x 172 mm each half module.

**OPCIONAL ACCESSORIES**

- Special scraper.
- "
- "

**DIMENSIONS**



X Width	400 mm	X Gross width	440 mm
Y Depth	730 mm	Y Gross depth	822 mm
Z Height	290 mm	Z Gross height	535 mm
Net Weight	28,5 kg	Gross Weight	41,5 kg
Net volume	0,080 m3	Gross volume	0,193 m3

**ELECTRICITY TECHNICAL SPECIFICATIONS**

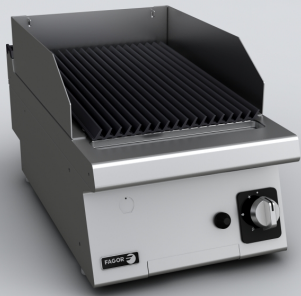
Voltage N/A

**GAS TECHNICAL SPECIFICATIONS**

Gas type LPG  
 Gas power 8,10 kW  
 Gas consumption 0,638 kg/h  
 Regulated LPG G30/G31 28-30/37 mbar  
 NG G20/G25/G25.1 20/25/25 mbar

**CONNECTIONS TECHNICAL SPECIFICATIONS**

Gas diameter 1 'R.3/4"G'



Catalogue  
**FOOD SERVICE**

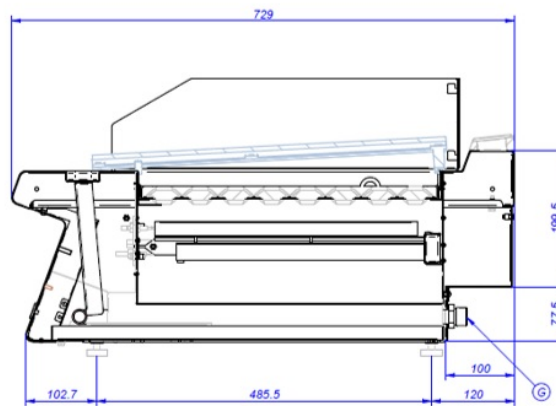
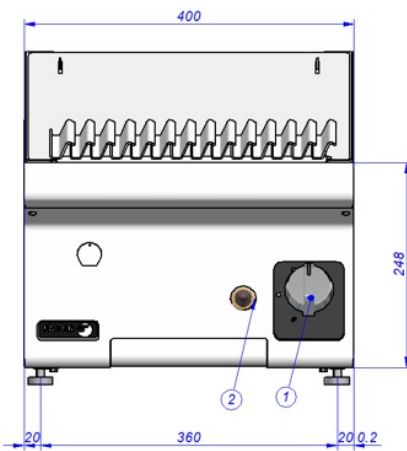
Chapter  
**COOKING**

Model  
**B-G705 LPG**

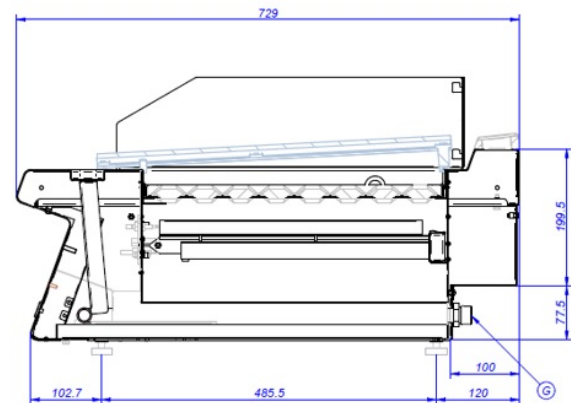
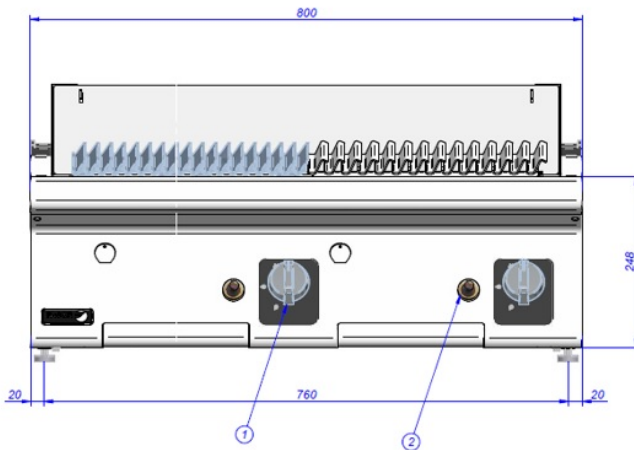
19074120

09/03/2020

**B-G705**



**B-G710**



G – Entrada de Gas  
1 – Grifo válvula de gas  
2 – Pulsador de encendido

Gas Inlet  
Gas valve tap  
Piezoelectric ignitor

Entrée de gaz  
Robinet valve gaz  
Allumeur piézoélectrique