



**Catalogue**  
FOOD SERVICE  
**Chapter**  
COOKING

**Specific model**  
FE-6 380-415V 3N 1C

19004713

14/09/2022

**DENOMINATION:**

Electric counter top deep fat fryer, 1 tank of 6 L, triphasic, independent range.

**DESCRIPTION :**

- "
- Control by thermostat (60 °C to 195 °C).
  - Removable shielded heating elements in stainless steel."

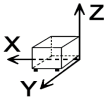
"

    - Safety thermostat. Safety switch for assembly.
    - Pilot light for heating."

**POSSIBLE ACCESSORIES :**

- ACCESSORIES INDEPEND. COOKING

**DIMENSIONS**



X Width	265 mm	X Gross width	340 mm
Y Depth	485 mm	Y Gross depth	550 mm
Z Height	270 mm	Z Gross height	360 mm
Net Weight	11,0 kg	Gross Weight	13,0 kg
Net volume	0,030 m3	Gross volume	0,067 m3

**ELECTRICITY TECHNICAL SPECIFICATIONS**

Electric power	4,500 kW
Amperage (A)	16A
Voltage	380-415V - 3N
Electric frequency	50/60Hz

**CONNECTIONS TECHNICAL SPECIFICATIONS**

230 V three-phase wiring	3X1,5+T - 16 A
Single-phase 230V wiring	2X2,5+T - 25 A
Three-phase +N 400V wiring	4X1,5+T - 10 A

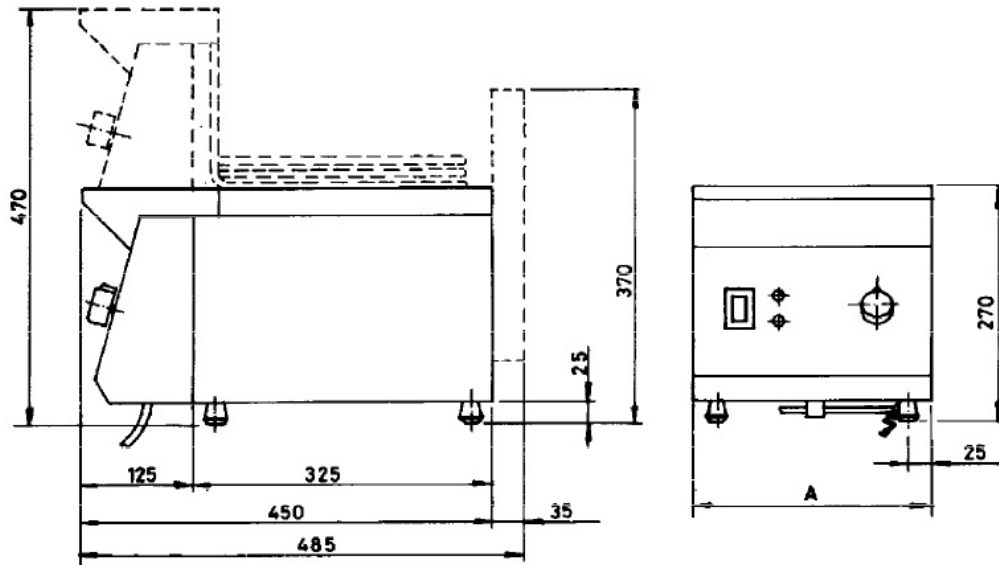


**Catalogue**  
FOOD SERVICE  
**Chapter**  
COOKING

**Specific model**  
FE-6 380-415V 3N 1C

19004713

14/09/2022



	A
FE-4	175
FE-6	265
FE-8	335