



VACUUM SEALER SE-606CC

Floorstanding unit. 63 m³/h. 465+465 mm.



FOOD PRESERVATION AND SOUS-VIDE
VACUUM PACKING MACHINES • SENSOR LINE



SALES DESCRIPTION

Two sealing bars (465+465 mm.)
63 m³/h Busch vacuum pump.
Vacuum controlled by sensor.

- ✓ Powered by Busch.
- ✓ Vacuum controlled by sensor.
- ✓ Vacuum PLUS.
- ✓ Digital keyboard.
- ✓ Control panel equipped with display indicating the exact vacuum percentage.
- ✓ "Pause" button to marinate food.
- ✓ Safe liquid packing thanks to sensor control.
- ✓ Double seal.
- ✓ Cordless sealing bar.
- ✓ Bag-sealing programme.
- ✓ Pulse-controlled decompression.
- ✓ Vac-Norm ready with Automatic decompression.
- ✓ Stainless steel body and chamber.
- ✓ Damped transparent lid.
- ✓ Dry-oil programme for drying the pump.
- ✓ Working hours counter for oil changes.
- ✓ Safety system with protection against vacuum failure.
- ✓ NSF-listed.

INCLUDES

- ✓ Sensor controls
- ✓ Up to 10 seconds of extra vacuum pull
- ✓ Soft air function
- ✓ Dry oil cycle
- ✓ BUSCH pump
- ✓ NSF approved
- ✓ Clear methacrylate lid
- ✓ Filling plate

OPTIONAL

- Vacuum packing bags
- External vacuum kit for Vac-Norm, containers and accessories
- Bag cutting kit
- Support for liquid packaging
- Additional filling plates

ACCESSORIES

- Bag cutting kits
- Filling plates
- Liquid insert plates
- Vac-norm external vacuum kits
- Vac-norm containers
- Smooth bags for vacuum packing

SPECIFICATIONS

Pump capacity: 63 m³/h
 Pump capacity (60 Hz): 75 m³/h
 Bar length: 465 mm
 Total loading: 1500 W
 Vacuum pressure (maximum): 0.5 mbar

Internal dimensions

- ✓ Width: 672 mm
- ✓ Depth: 481 mm
- ✓ Height: 200 mm

External dimensions (W x D x H)

- ✓ Width: 740 mm
- ✓ Depth: 566 mm
- ✓ Height: 997 mm (230V) / (120V)

Net weight: 159 kg

Noise level (1m.): 75 dB(A)
 Background noise: 32 dB(A)

Crated dimensions

670 x 830 x 1200 mm
 Gross weight: 196.8 kg

AVAILABLE MODELS

1140663 SE-606 CC 230-400/50/3N

1140669 SE-606 CC 208-240V/60/3

* Ask for special versions availability



product sheet
updated 02/10/2024

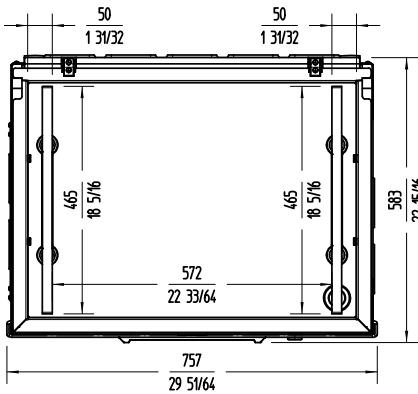
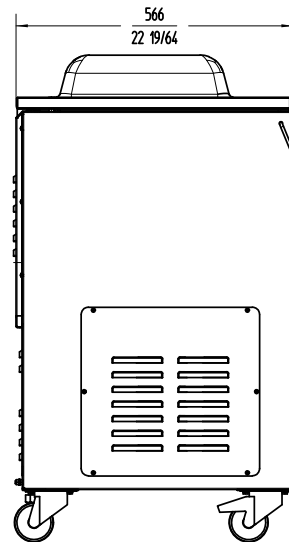
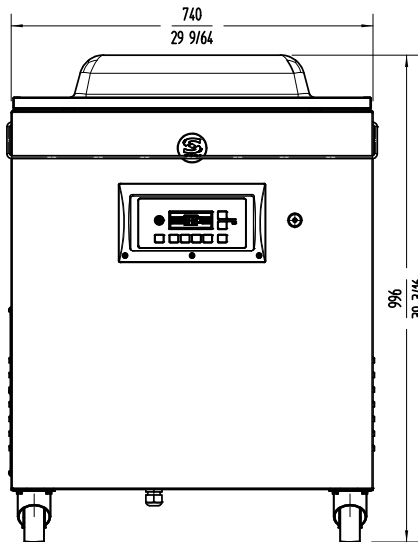


VACUUM SEALER SE-606CC

Floorstanding unit. 63 m³/h. 465+465 mm.



FOOD PRESERVATION AND SOUS-VIDE
VACUUM PACKING MACHINES · SENSOR LINE



sammic | www.sammic.com
Food Service Equipment Manufacturer

Polígono Basarte, 1.
20720 Azkoitia, Spain

phone +34 943 15 72 36
sales@sammic.com



Project	Date
Item	Qty
Approved	

product sheet
updated 02/10/2024