



# VACUUM SEALER SE-204

Tabletop model. 4 m³/h. 280 mm



FOOD PRESERVATION AND SOUS-VIDE  
VACUUM PACKING MACHINES · SENSOR LINE



## SALES DESCRIPTION

280 mm sealing bar.  
4 m³/h Busch vacuum pump.  
Vacuum controlled by sensor.

- ✓ Powered by Busch.
- ✓ Vacuum controlled by sensor.
- ✓ Vacuum PLUS.
- ✓ Digital keyboard.
- ✓ Control panel equipped with display indicating the exact vacuum percentage.
- ✓ "Pause" button to marinate food.
- ✓ Safe liquid packing thanks to sensor control.
- ✓ Double seal.
- ✓ Cordless sealing bar.
- ✓ Bag-sealing programme.
- ✓ Pulse-controlled decompression.
- ✓ Vac-Norm ready with Automatic decompression.
- ✓ Stainless steel body and chamber. Deep-drawn chamber.
- ✓ Damped transparent lid.
- ✓ Dry-oil programme for drying the pump.
- ✓ Working hours counter for oil changes.
- ✓ Safety system with protection against vacuum failure.
- ✓ NSF-listed model.

## INCLUDES

- ✓ Sensor controls.
- ✓ Up to 10 seconds of extra vacuum pull.
- ✓ Soft air function.
- ✓ Dry oil cycle.
- ✓ Busch pump.
- ✓ NSF approved.
- ✓ Clear methacrylate lid.
- ✓ Filling plate.

## OPTIONAL

- Vacuum packing bags.
- External vacuum kit for Vac-Norm, containers and accessories.
- Additional filling plates.

## ACCESSORIES

- Filling plates
- Vac-norm containers
- Vac-norm external vacuum kits
- Smooth bags for vacuum packing

## SPECIFICATIONS

Pump capacity: 4 m³/h  
 Pump capacity (60 Hz): 5 m³/h  
 Bar length: 280 mm  
 Total loading: 100 W  
 Vacuum pressure (maximum): 2 mbar

### Internal dimensions

- ✓ Width: 288 mm
- ✓ Depth: 333 mm
- ✓ Height: 110 mm

### External dimensions (W x D x H)

- ✓ Width: 337 mm
- ✓ Depth: 431 mm
- ✓ Height: 307 mm

Net weight: 24.2 kg

Background noise: 32 dB(A)

### Crated dimensions

400 x 525 x 390 mm  
 Gross weight: 27.2 kg

## AVAILABLE MODELS

1140620 SE-204 230/50-60/1

1140621 SE-204 120/50-60/1

\* Ask for special versions availability



product sheet  
updated 01/10/2024

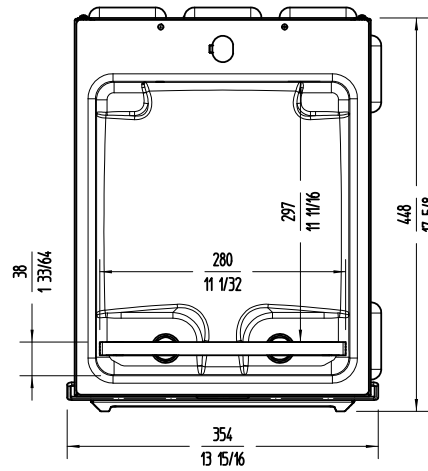
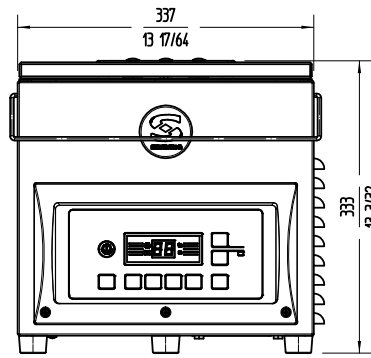
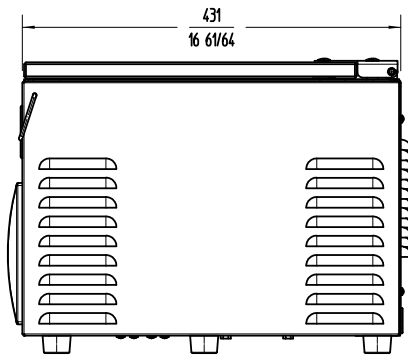


# VACUUM SEALER SE-204

Tabletop model. 4 m<sup>3</sup>/h. 280 mm



FOOD PRESERVATION AND SOUS-VIDE  
VACUUM PACKING MACHINES · SENSOR LINE



**sammic** | [www.sammic.com](http://www.sammic.com)  
Food Service Equipment Manufacturer

Polígono Basarte, 1. phone +34 943 15 72 36  
20720 Azkoitia, Spain sales@sammic.com



Project	Date
Item	Qty
Approved	

product sheet  
updated 01/10/2024