



**Catalogue**  
FOOD SERVICE  
**Chapter**  
COOKING

**Specific model**  
FT-G705 V L NG

19101409

23/10/2024

**DENOMINATION:**

GN gas frytop with security valve with thermocouple, smooth hot-plate, half module, 700 range.

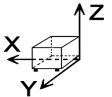
**DESCRIPTION :**

- Stamped surface tops manufactured in 1.5 mm thick AISI-304 stainless steel.
- Laser-cut joints, automatic welding and polishing. Hidden screws.
- Rapid reaction and recovery times of the fry-top temperature.
- The fry tops are welded to the stamped surface top.
- The stamped shell and its rounded edges and corners make cleaning much easier.
- The fry top is tilted towards the front to make it easier to collect grease and liquids.
- Fitted with an opening to collect cooking grease and a tray to store it which has capacity to store up to 2 litres depending on the model.
- Optional anti-splash side and rear guards, easy to remove.
- High-temperature enamelled cast iron flue protector.
- Access to components from the front.
- Machines with IPX5 grade water protection.
- "
- Model with smooth hot plates.
- 12 mm thick mild steel fry tops which are quick-heating and high power.
- "- Gas heated model with high efficiency burners (separate burners for whole-module models).
- Model with operation via safety thermostat with thermocouple.
- Burner ignition through electronic spark igniter. Therefore, the gas models do not need electricity for installation. With an access tube for manual ignition.
- "
- Whole-module fry tops have two separate heating areas.

**POSSIBLE ACCESSORIES :**

- FRY-TOP ACCESSORIES KORE
- TALL CHIMNEY KORE
- ACCESSORIES KORE
- STANDS 700

**DIMENSIONS**



X Width	400 mm	X Gross width	440 mm
Y Depth	730 mm	Y Gross depth	820 mm
Z Height	290 mm	Z Gross height	510 mm
Net Weight	35,0 kg	Gross Weight	42,0 kg
Net volume	0,080 m3	Gross volume	0,184 m3

**ELECTRICITY TECHNICAL SPECIFICATIONS**

Voltage	N/A
Phases	N/A

**GAS TECHNICAL SPECIFICATIONS**

Gas power	7,50 kW
Gas consumption	0,794 m3/h
Regulated	LPG G30/G31 28-30/37 mbar NG G20/G25/G25.1 20/25/25 mbar

**CONNECTIONS TECHNICAL SPECIFICATIONS**

Gas diameter 1	R.3/4"G
----------------	---------

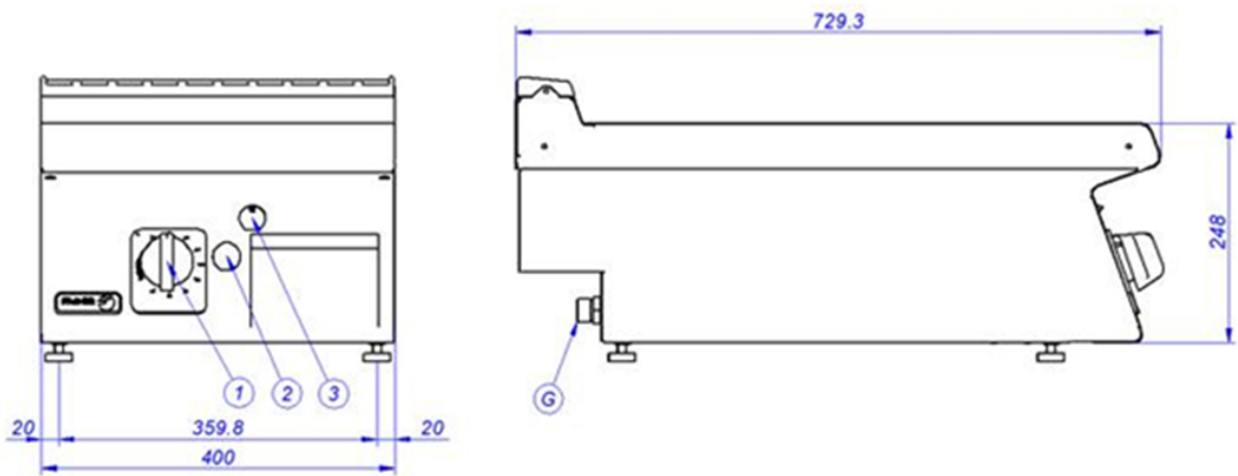


**Catalogue**  
FOOD SERVICE  
**Chapter**  
COOKING

**Specific model**  
FT-G705 V L NG

19101409

23/10/2024



- |    |                              |                       |
|----|------------------------------|-----------------------|
| G. | Entrada de Gas               | Gas Inlet             |
| E. | Conexión eléctrica           | Electrical connection |
| 1. | Válvula de gas               | Gas valve             |
| 2. | Pulsador tren de chispas     | Piezoelectric ignitor |
| 3. | Orificio de encendido manual | Manual ignition hole  |