



Catalogue
FOOD SERVICE
Chapter
COOKING

Specific model
FT-G710 V L LPG

19101391

23/10/2024

DENOMINATION:

LPG gas frytop with security valve with thermocouple, smooth hot-plate, 1 module, 700 range.

DESCRIPTION :

- Stamped surface tops manufactured in 1.5 mm thick AISI-304 stainless steel.
- Laser-cut joints, automatic welding and polishing. Hidden screws.
- Rapid reaction and recovery times of the fry-top temperature.
- The fry tops are welded to the stamped surface top.
- The stamped shell and its rounded edges and corners make cleaning much easier.
- The fry top is tilted towards the front to make it easier to collect grease and liquids.
- Fitted with an opening to collect cooking grease and a tray to store it which has capacity to store up to 2 litres depending on the model.
- Optional anti-splash side and rear guards, easy to remove.
- High-temperature enamelled cast iron flue protector.
- Access to components from the front.
- Machines with IPX5 grade water protection.
- "
- Model with smooth hot plates.
- 12 mm thick mild steel fry tops which are quick-heating and high power.
- "- Gas heated model with high efficiency burners (separate burners for whole-module models).
- Model with operation via safety thermostat with thermocouple.
- Burner ignition through electronic spark igniter. Therefore, the gas models do not need electricity for installation. With an access tube for manual ignition.
- "
- Whole-module fry tops have two separate heating areas.

POSSIBLE ACCESSORIES :

- FRY-TOP ACCESSORIES KORE
- TALL CHIMNEY KORE
- ACCESSORIES KORE
- STANDS 700

DIMENSIONS



| | | | |
|------------|----------|----------------|----------|
| X Width | 800 mm | X Gross width | 840 mm |
| Y Depth | 730 mm | Y Gross depth | 822 mm |
| Z Height | 290 mm | Z Gross height | 535 mm |
| Net Weight | 112,0 kg | Gross Weight | 130,0 kg |
| Net volume | 0,170 m3 | Gross volume | 0,369 m3 |

ELECTRICITY TECHNICAL SPECIFICATIONS

| | |
|---------|-----|
| Voltage | N/A |
| Phases | N/A |

GAS TECHNICAL SPECIFICATIONS

| | |
|-----------------|---|
| Gas power | 15,00 kW |
| Gas consumption | 1,182 kg/h |
| Regulated | LPG G30/G31 28-30/37 mbar NG G20/G25/G25.1 20/25/25 mbar |

CONNECTIONS TECHNICAL SPECIFICATIONS

| | |
|----------------|---------|
| Gas diameter 1 | R.3/4"G |
|----------------|---------|

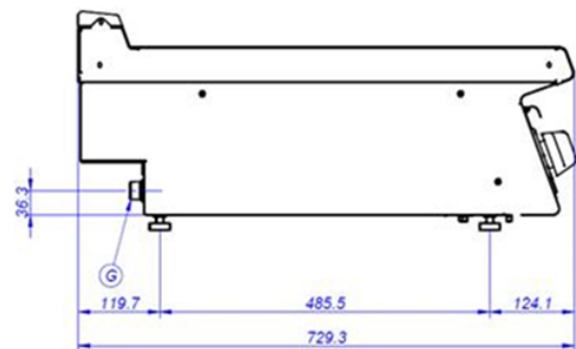
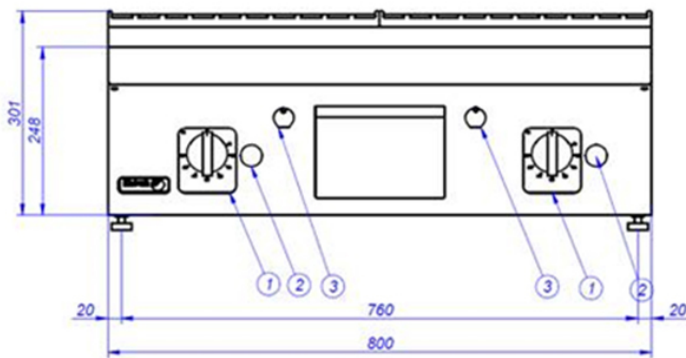


Catalogue
FOOD SERVICE
Chapter
COOKING

Specific model
FT-G710 V L LPG

19101391

23/10/2024



- | | | |
|----|------------------------------|-----------------------|
| G. | Entrada de Gas | Gas Inlet |
| E. | Conexión eléctrica | Electrical connection |
| 1. | Válvula de gas | Gas valve |
| 2. | Pulsador tren de chispas | Piezoelectric ignitor |
| 3. | Orificio de encendido manual | Manual ignition hole |