



**Catalogue**  
FOOD SERVICE  
**Chapter**  
COOKING

**Specific model**  
FT-G905 C R LPG 230V 1N

19101144

30/05/2023

**DENOMINATION:**

LPG gas frytop with thermostatic temperature control, chrome surface ribbed hot-plate, half module, 900 range.

**DESCRIPTION :**

- Surface tops manufactured in 2 mm thick AISI-304 stainless steel.
- Laser-cut joints, automatic welding and polishes. Screws hidden from view.
- Fry-tops manufactured in 20 mm thick mild steel, high powered and with rapid temperature attainment.
- Rapid reaction and recovery times of the fry-top temperature.
- The fry-tops are integrated into the funnelled surface top.
- The funnelled housing with rounded edges and corners make them very easy to clean.
- Fry-top tilted towards the front to facilitate fat and liquid collection.
- Fitted with an opening for the collection of cooking fat and storage tray with a capacity of up to 2 litres depending on the model.
- Option of easily dismountable side and back splash guards.
- High temperature enamelled cast iron flue protector.
- Access to the components from the front.
- Machines with IPX5 grade water protection.
- Ribbed hot-plate.
- Chrome surface.
- "- Gas heated model with burners with two branches.
- Thermostatic temperature control (between 100 and 300 °C).
- Ignition by electronic spark train. Have access tube for manual ignition.
- "

**POSSIBLE ACCESSORIES :**

- STANDS 900
- ACCESSORIES KORE
- FRY-TOP ACCESSORIES KORE
- TALL CHIMNEY KORE

**SUPPLIED ACCESSORIES:**

- 19045083 Scraper for fry-top generación Kore 1

**DIMENSIONS**



X Width	400 mm	X Gross width	440 mm
Y Depth	930 mm	Y Gross depth	1022 mm
Z Height	290 mm	Z Gross height	535 mm
Net Weight	70,0 kg	Gross Weight	88,0 kg
Net volume	0,110 m3	Gross volume	0,241 m3

**ELECTRICITY TECHNICAL SPECIFICATIONS**

Electric power	0,100 kW
Amperage (A)	2A
Voltage	230V - 1N
Electric frequency	50/60Hz

**GAS TECHNICAL SPECIFICATIONS**

Gas type	LPG
Gas power	9,25 kW
Gas consumption	0,720 kg/h
Regulated	LPG G30/G31 28-30/37 mbar NG G20/G25/G25.1 20/25/25 mbar

**CONNECTIONS TECHNICAL SPECIFICATIONS**

Gas diameter 1	R3/4"
----------------	-------





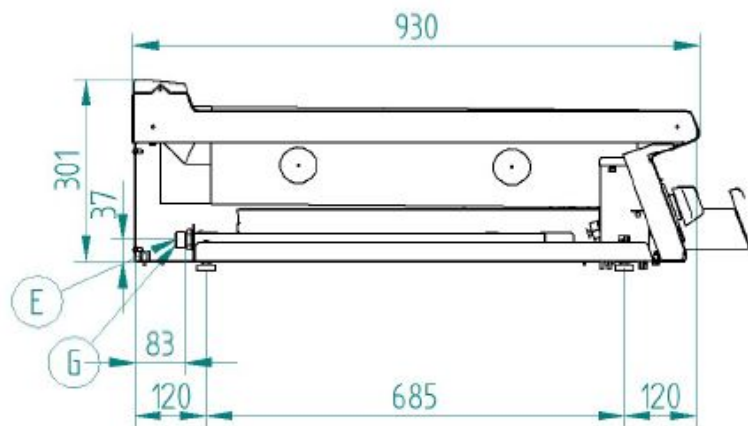
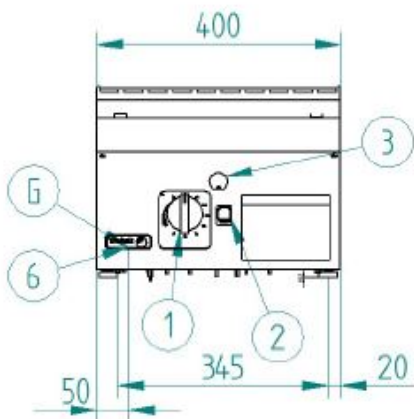
**Catalogue**  
FOOD SERVICE  
**Chapter**  
COOKING

**Specific model**  
FT-G905 C R LPG 230V 1N

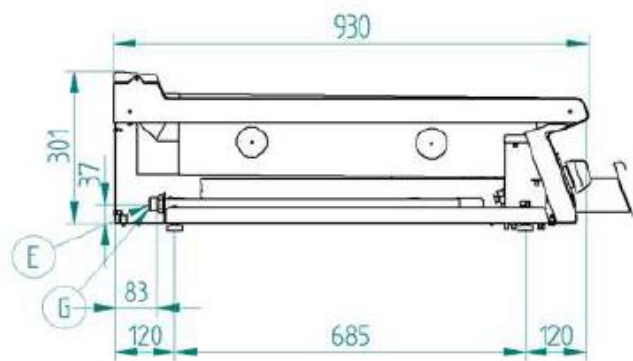
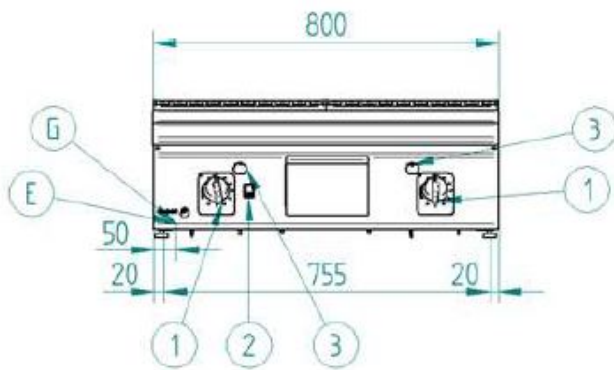
19101144

30/05/2023

**FT-G905**



**FT-G910**



- G. Entrada de Gas
- E. Conexión eléctrica
- 1. Válvula de gas
- 2. Pulsador tren de chispas
- 3. Orificio de encendido manual

- Gas Inlet
- Electrical connection
- Gas valve
- Piezoelectric ignitor
- Manual ignition hole