



**Catalogue**  
FOOD SERVICE  
**Chapter**  
DISHWASHING

**Specific model**  
CO-110 DD 380-415V 3N 50Hz

19075271

11/06/2024

**DENOMINATION:**

Hood-type dishwasher with simple control and detergent doser

**DESCRIPTION :**

- Hood-Type dishwashers - EVO Generation
- Constructed in stainless steel.
- Counterbalanced hood with handle and spring system.
- Double rotating wash and rinse system, top and bottom, in stainless steel.
- 440 mm hood opening (Accepts GN 1/1 trays).
- 750 W wash pump providing high water flow.
- Rounded tank to facilitate washing and drainage.
- Stainless steel armoured heating elements in the wash tank and rinse boiler.
- Multi-voltage: Allows the machine to be connected to a single-phase or three-phase voltage network. (230 1N~/230 3~/400V 3N~).- AISI-304 stainless steel filter trays in the wash tank.
- Thermostatic control of temperatures (wash, 60°C, and rinse, 85°C).
- Thermal stop system which guarantees a rinse temperature of 85°C.
- Safety stop switch in hood opening.
- Safety thermostat.
- Water consumption per 2.4 litre cycle.
- Model for 500 x 500 mm baskets.
- Model with highly resistant control buttons.
- 90s, 120s, 180s and 600s wash cycles.
- Theoretical maximum production of 40 baskets/hour.
- Tank with volume of 33 litres, with 4.5 kW heating element.
- Boiler with volume of 9 litres, with 6 kW heating element.
- Alternating or simultaneous tank and boiler heating.
- Thermal stop system which guarantees a rinse temperature of 85°C. Standard factory setting disabled.
- Maximum Total power: 6.75 kW (alternating) or 11.25 kW (simultaneous).
- IPX4 anti-humidity protection.
- Built-in detergent doser

**POSSIBLE OPTIONS :**

- Electric connection for ships 440V

**POSSIBLE ACCESSORIES :**

- TAPS

**DIMENSIONS**



|            |          |                |          |
|------------|----------|----------------|----------|
| X Width    | 630 mm   | X Gross width  | 765 mm   |
| Y Depth    | 750 mm   | Y Gross depth  | 905 mm   |
| Z Height   | 1465 mm  | Z Gross height | 1610 mm  |
| Net Weight | 92,0 kg  | Gross Weight   | 114,0 kg |
| Net volume | 0,659 m3 | Gross volume   | 1,115 m3 |

**ELECTRICITY TECHNICAL SPECIFICATIONS**

|                    |               |
|--------------------|---------------|
| Engine power       | 0,75 kW       |
| Electric power     | 11,250 kW     |
| Amperage (A)       | 18,48         |
| Heating power      | 6,00 kW       |
| Voltage            | 380-415V - 3N |
| Electric frequency | 50Hz          |

**MULTIPOWER**

| CONNECTION       | RATED POWER (kW) | RATED CURRENT (A) | BOILER (kW) | TANK (kW)     |            |
|------------------|------------------|-------------------|-------------|---------------|------------|
| 230V, 1N~        | 3,75 kW          | 16,3 A            | 3 kW        | 2,25 kW       | ALT        |
| 230V, 1N~        | 4,75 kW          | 20,65 A           | 4 kW        | 3 kW          | ALT        |
| 230V, 1N~        | 6,75 kW          | 29,35 A           | 6 kW        | 4,5 kW        | ALT        |
| 230V, 1N~        | 6 kW             | 26,1 A            | 3 kW        | 2,25 kW       | SIM        |
| 230V, 1N~        | 7,75 kW          | 33,7 A            | 4 kW        | 3 kW          | SIM        |
| 230V, 1N~        | 11,25 kW         | 48,91 A           | 6 kW        | 4,5 kW        | SIM        |
| 400V, 3N~        | 6,75 kW          | 11,96 A           | 6 kW        | 4,5 kW        | ALT        |
| <b>400V, 3N~</b> | <b>11,25 kW</b>  | <b>18,48 A</b>    | <b>6 kW</b> | <b>4,5 kW</b> | <b>SIM</b> |
| 230V, 3~         | 6,75 kW          | 18,32 A           | 6 kW        | 4,5 kW        | ALT        |
| 230V, 3~         | 11,25 kW         | 29,62 A           | 6 kW        | 4,5 kW        | SIM        |



**Catalogue**  
FOOD SERVICE  
**Chapter**  
DISHWASHING

**Specific model**  
CO-110 DD 380-415V 3N 50Hz

19075271

11/06/2024

- BASKETS FOR DISHWASHERS
- BASKETS FOR GLASSES
- WATER SOFTENERS
- ENTRY-EXIT TABLES EVO
- TABLES FOR HOOD
- VARIOUS KITS EVO
- ENTRY-EXIT TABLES

**SUPPLIED ACCESSORIES:**

- 19000484 Glass basket, 500x500x110 mm. 1
- 19000487 Basket for 16-18 plates, 500x500x110 mm. 1
- 19000792 Cutlery basket for 15 pieces of cutlery, 105x105x130 mm. 2

**WATER TECHNICAL SPECIFICATIONS**

|                       |                           |
|-----------------------|---------------------------|
| Pressure              | H2O: 200-400kPa(2-4bar)   |
| Water max consumption | 60,00 L/h                 |
| Maximum Temperature   | Water Inlet Max Temp:60°C |

**CONNECTIONS TECHNICAL SPECIFICATIONS**

|                            |               |
|----------------------------|---------------|
| 230 V three-phase wiring   | 3X10+T - 63 A |
| Single-phase 230V wiring   | 2X16+T - 80 A |
| Three-phase +N 400V wiring | 4X6+T - 40 A  |
| Drain 1 diameter           | 2"            |

**OTHERS**

|             |          |
|-------------|----------|
| Noise level | 72,00 dB |
|-------------|----------|

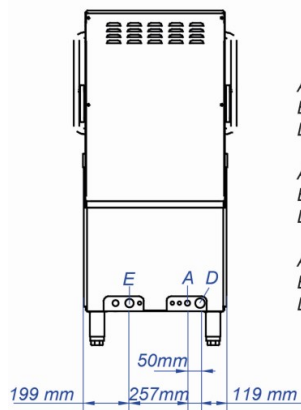
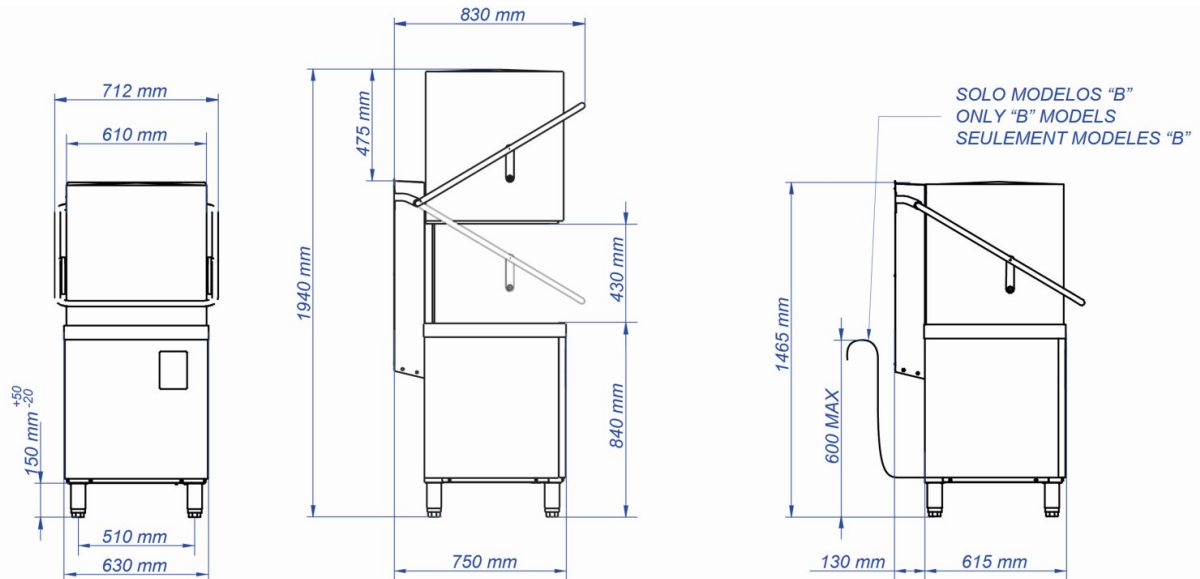


**Catalogue**  
FOOD SERVICE  
**Chapter**  
DISHWASHING

**Specific model**  
CO-110 DD 380-415V 3N 50Hz

19075271

11/06/2024



A: ENTRADA DE AGUA  
E: ALIMENTACIÓN ELÉCTRICA  
D: DESAGÜE

A: WATER INLET  
E: ELECTRICAL CONNECTION  
D: DRAIN

A: ARRIVÉE D'EAU  
E: CONNEXION ÉLECTRIQUE  
D: VIDANGE

