



Catalogue
FOOD SERVICE
Chapter
COOKING

Specific model
SB-G710 LPG 230V 1N 50/60Hz

19058021

29/05/2024

DENOMINATION:

Gas tilting bratt pan, LPG 50-60Hz, manual with stainless steel tank of 60 L, 700 range.

DESCRIPTION :

- Laser-cut joints, automatic welding and polishing. Hidden screws.
- Lever system to raise the well. The well can be raised until it is vertical to completely drain it.
- Entire machine structure made of stainless steel.
- Well designed with rounded corners and no edges, with a large opening for unloading to facilitate all cooking and cleaning operations.
- The great thickness of the well base (10 mm) guarantees even heat distribution.
- Well filled with water through a solenoid valve which is operated by a switch on the front of the machine. The filling pipe is located at the back of the machine.
- Double-walled lid with a draining rack at the back to redirect condensation water towards the well interior.
- The closed lid is the same height as surface tops of the range and since it does not require any protruding element or reinforcement, it can be used as a worktop.
- Compensation system to prevent sharp falls.
- Front access lid handle.
- Gas heating with high-efficiency stainless steel burners made of four tubes which are activated and controlled by a safety valve with a thermocouple.
- Thermostatic temperature control of the well floor, between 50 and 300 °C.
- Heating through burner tubes located in the base of the well itself which, together with the great thickness of the well base, ensure maximum uniformity in heat distribution in all cases, guaranteeing consistent cooking.

POSSIBLE ACCESSORIES :

- KORE WHEELS
- TALL CHIMNEY KORE

DIMENSIONS



X Width	800 mm	X Gross width	840 mm
Y Depth	730 mm	Y Gross depth	822 mm
Z Height	850 mm	Z Gross height	1255 mm
Net Weight	114,0 kg	Gross Weight	132,0 kg
Net volume	0,500 m3	Gross volume	0,867 m3

ELECTRICITY TECHNICAL SPECIFICATIONS

Electric power	0,100 kW
Amperage (A)	2A
Voltage	230V - 1N
Electric frequency	50/60Hz

GAS TECHNICAL SPECIFICATIONS

Gas type	LPG
Gas power	15,00 kW
Gas consumption	1,182 kg/h
Regulated	LPG G30/G31 28-30/37 mbar NG G20/G25/G25.1 20/25/25 mbar

WATER TECHNICAL SPECIFICATIONS

Pressure	H2O: 200-400kPa(2-4bar)
Water max consumption	0,00 L/h
Maximum Temperature	Water Inlet Max Temp:60°C

CONNECTIONS TECHNICAL SPECIFICATIONS

Gas diameter 1	R3/4"
----------------	-------



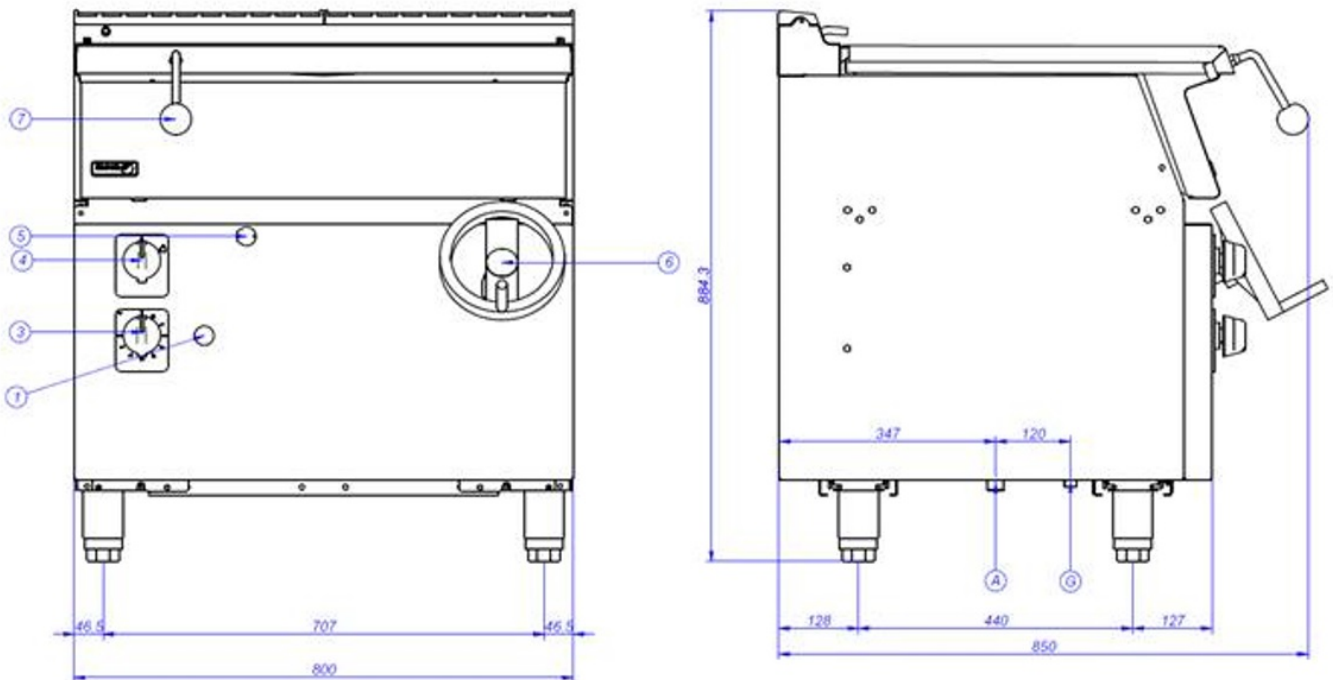
Catalogue
FOOD SERVICE
Chapter
COOKING

Specific model
SB-G710 LPG 230V 1N 50/60Hz

19058021

29/05/2024

SB-G710



A – Entrada de Agua

G – Entrada de Gas

1 – Pulsador piezoeléctrico

3 – Grifo válvula gas

4 – Grifo válvula agua

5 – Orificio de encendido manual

6 – Volante elevación

7 – Asa sartén

Water inlet

Gas Inlet

Piezoelectric ignitor

Gas valve tap

Water valve tap

Manual ignition hole

Wheel elevation control

Pan handle

Entrée d'eau

Entrée de gaz

Allumeur piézoélectrique

Robinet vanne de gaz

Robinet vanne d'eau

Trou d'allumage manuel

Manivelle de levage

Poignée