



Catalogue
FOOD SERVICE
Chapter
COOKING

Specific model
C-G710 NG

19073645

04/09/2023

DENOMINATION:

Countertop gas solid top GN, 700 range.

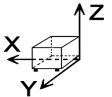
DESCRIPTION :

- "- Surface tops manufactured in 1.5 mm thick AISI-304 stainless steel.
 - Laser-cut joints and automatic welding. Hidden screws.
 - 10 mm-thick cast iron plate with rounded corners.
 - Fry-top dimensions: 800 x 580 mm.
 - Shield with 300 mm diameter.
 - Refractory brick inside for improved heat use and distribution.
 - Differentiated usage temperatures: 500 °C at the centre and 200 °C at the edges.
 - Double-crown burner and diffuser made of cast iron which guarantee an even distribution of heat from the flame.
 - Burner power: 8.4 kW.
 - Low-consumption pilot light and thermocouple located within the body of the burner for greater protection.
 - Flexible stainless-steel gas pipes, facilitating internal manipulation in order to make repairs easier.
 - Controls with a protective support base and system to prevent water infiltration.
 - High-temperature enamelled cast iron flue protector which is flush with the
- grates therefore improving manoeuvrability, supporting larger containers and increasing the usable surface area.
- Access to components from the front."

POSSIBLE ACCESSORIES :

- ACCESSORIES KORE
- STANDS 700
- TALL CHIMNEY KORE

DIMENSIONS



X Width	800 mm	X Gross width	840 mm
Y Depth	730 mm	Y Gross depth	822 mm
Z Height	290 mm	Z Gross height	535 mm
Net Weight	93,0 kg	Gross Weight	111,0 kg
Net volume	0,170 m3	Gross volume	0,369 m3

ELECTRICITY TECHNICAL SPECIFICATIONS

Voltage N/A - N/A

GAS TECHNICAL SPECIFICATIONS

Gas type NG

Gas power 8,40 kW

Gas consumption 0,889 m3/h

Regulated LPG G30/G31 28-30/37 mbar
NG G20/G25/G25.1 20/25/25 mbar

CONNECTIONS TECHNICAL SPECIFICATIONS

Gas diameter 1 R.3/4"G



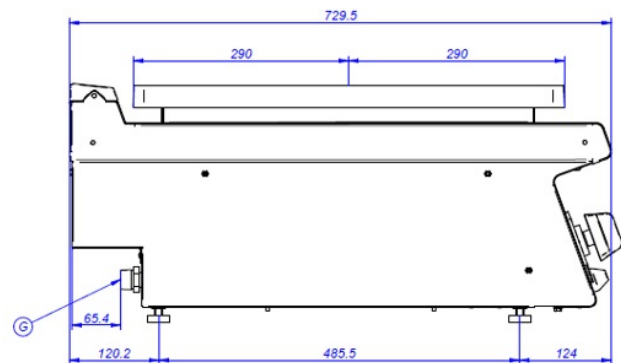
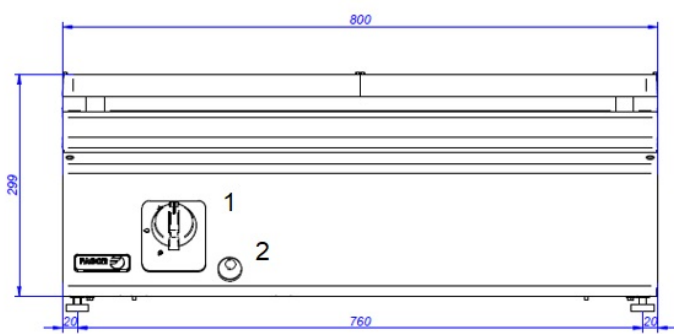
Catalogue
FOOD SERVICE
Chapter
COOKING

Specific model
C-G710 NG

19073645

04/09/2023

C-G710



G. Entrada de Gas
1. Válvula de gas
2. Pulsador tren de chispas

Gas Inlet
Gas valve
Piezoelectric ignitor