



Catalogue
FOOD SERVICE
Chapter
COOKING

Specific model
SBG-200 M 50/60Hz 220-230V 1N

19079430

02/11/2022

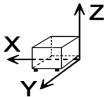
DENOMINATION:

Motorised tilting bratt pans directly heated with gas 200 L

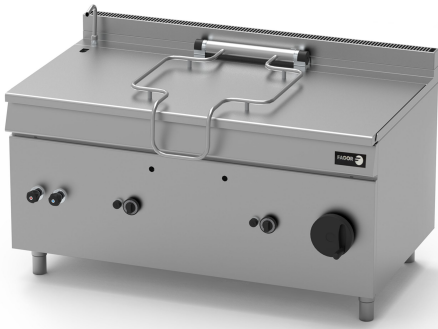
DESCRIPTION :

- Cooking chamber walls made from AISI 304 stainless steel.
- Bottom made from 10 mm thick AISI 304 stainless steel Option: 12 mm thick bottom made from composite (9 mm iron + 3 mm steel).
- Cooking chamber with non-stick finish and ceramic microspheres.
- Water can be added into the chamber using a single hole tap.
- 10/10 thick AISI 304 stainless steel lid, with chrome plated rack and preloaded spring and stainless steel handle.
- 20/10 thick stainless steel supporting structure, mounted on adjustable steel feet for levelling.
- 10/10 thick satin-finished AISI 304 stainless steel external walls.
- 20/10 thick satin-finished AISI 304 stainless steel shelf.
- Automatic motorised tilting - Includes a manual tilting system in the event of a fault.
- Automatic shutdown in the event of system failure.
- Manual Piezoelectric ignition and pilot flame.
- Heating via tube and high performance AISI 304 stainless steel burners.
- Smoke extraction grille.
- Set of nozzles for different types of gas.
- Safety thermostat
- Tap with safety valve and thermocouple.
- Temperature regulated between 100 °C and 300 °C.

DIMENSIONS



| | | | |
|------------|----------|----------------|----------|
| X Width | 1600 mm | X Gross width | 1630 mm |
| Y Depth | 900 mm | Y Gross depth | 990 mm |
| Z Height | 850 mm | Z Gross height | 1110 mm |
| Net Weight | 210,0 kg | Gross Weight | 250,0 kg |
| Net volume | 1,224 m3 | Gross volume | 1,791 m3 |

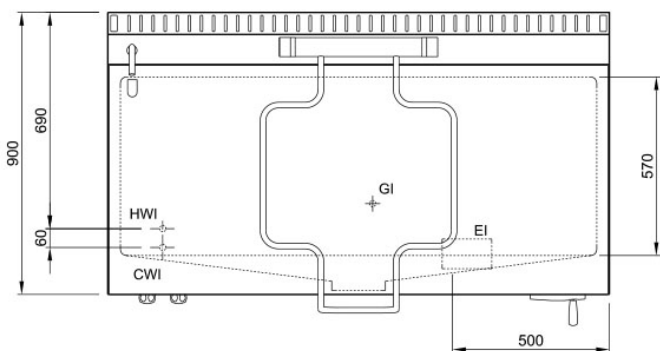
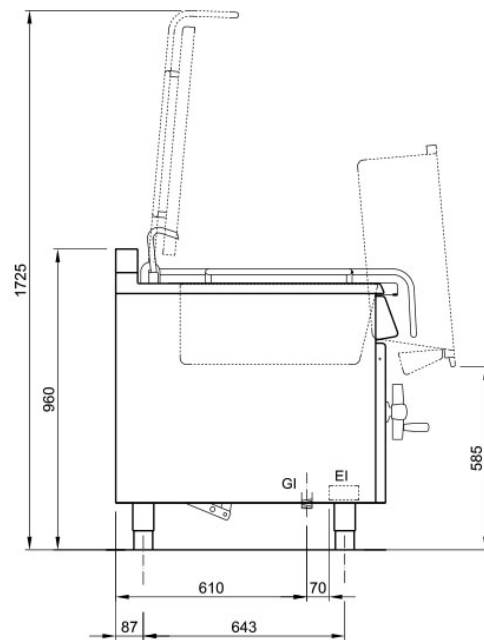
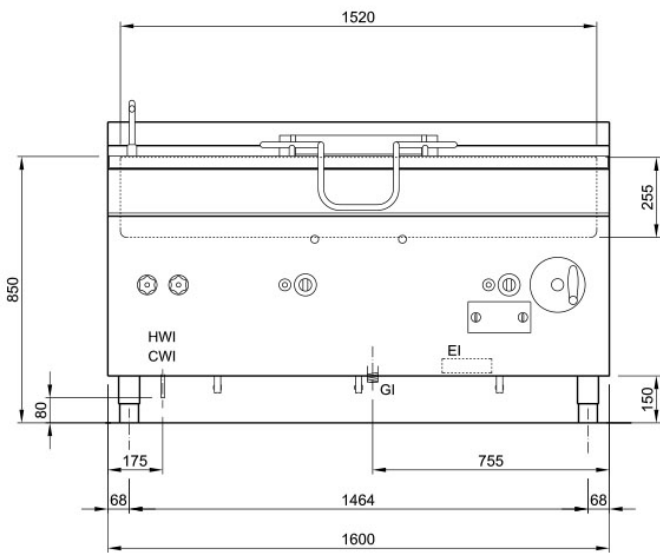


Catalogue
FOOD SERVICE
Chapter
COOKING

Specific model
SBG-200 M 50/60Hz 220-230V 1N

19079430

02/11/2022



ALLACCIAMENTI - BRANCHEMENTS - CONNECTIONS

| | | | |
|-------|--|-----------------------------|--------|
| HWI - | ACQUA CALDA EAU CHAUDE HOT WATER | 100 - 250 kPa (1 - 2,5 bar) | 1/2" F |
| CWI - | ACQUA FREDDA EAU FROIDE COLD WATER | 100 - 250 kPa (1 - 2,5 bar) | 1/2" F |
| GI - | ARRIVO GAS ARRIVEE DU GAZ GAS INLET | 44 kW | 1" M |
| EI - | CAVO ELETTRICO CABLE ELECTRIQUE ELECTRIC CABLE | 220-240V 1N 50-60Hz | 0,1kW |