



Catalogue
FOOD SERVICE
Chapter
COOKING

Specific model
C-E740 Q 400V 3N 50/60Hz

19072312

04/09/2023

DENOMINATION:

Countertop electric cooker, 4 square plates, 700 range.

DESCRIPTION :

"- Pressed surface tops manufactured in 1.5 mm thick AISI-304 stainless steel, with rounded edges, designed to prevent spilled liquid from pans from entering the interior of the oven.

- Stamped surface top with rounded corners for easy cleaning.
- Laser-cut joints and automatic welding. Hidden screws.
- Cast iron hot plates,
- Power regulation via selector with 7 positions.
- Protection against overheating for each plate.
- High-temperature enamelled cast iron flue protector.
- Access to components from the front.
- Easy connection and compliant with health standards.
- Machines with IPX5 grade water protection.

-Cast iron square hot plates, 230 x 230 (2.6 kW), hermetically fixed to the stamped surface top.

POSSIBLE OPTIONS :

- 230 1N- Transformation A 230 V single phase
- 230 III - A 230 V three-phase transformation without neutral

POSSIBLE ACCESSORIES :

- ACCESSORIES KORE
- STANDS 700
- COOKER ACCESSORIES KORE
- TALL CHIMNEY KORE

DIMENSIONS



X Width	800 mm	X Gross width	840 mm
Y Depth	730 mm	Y Gross depth	822 mm
Z Height	290 mm	Z Gross height	535 mm
Net Weight	36,0 kg	Gross Weight	54,0 kg
Net volume	0,170 m3	Gross volume	0,369 m3

ELECTRICITY TECHNICAL SPECIFICATIONS

Electric power	10,400 kW
Amperage (A)	15,1A
Heating power	10,40 kW
Voltage	400V - 3N
Electric frequency	50/60Hz

CONNECTIONS TECHNICAL SPECIFICATIONS

230 V three-phase wiring	3X4+T - 40 A
Single-phase 230V wiring	2X10MM2+T
Three-phase +N 400V wiring	3X2,5MM2+T+N



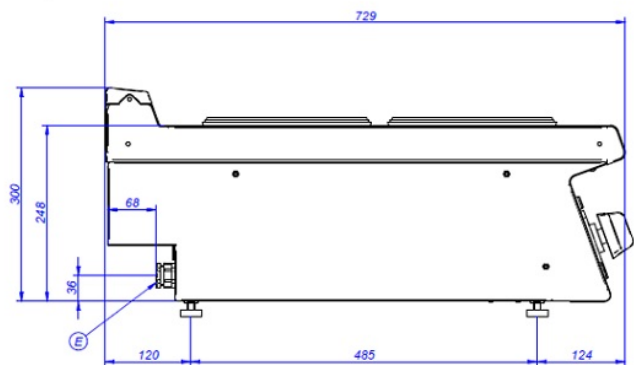
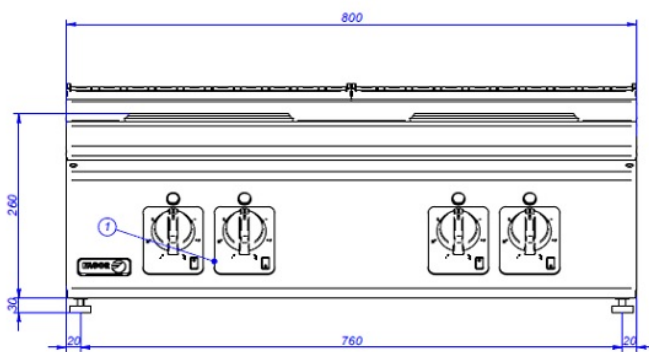
Catalogue
FOOD SERVICE
Chapter
COOKING

Specific model
C-E740 Q 400V 3N 50/60Hz

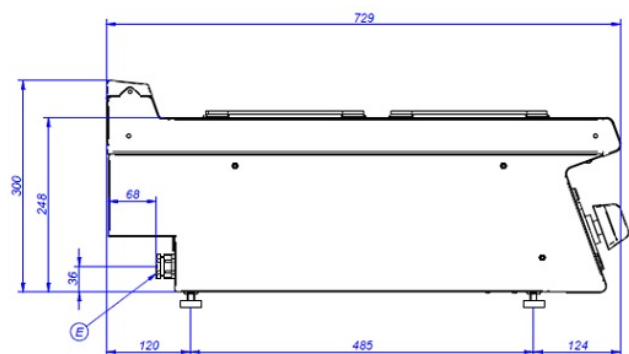
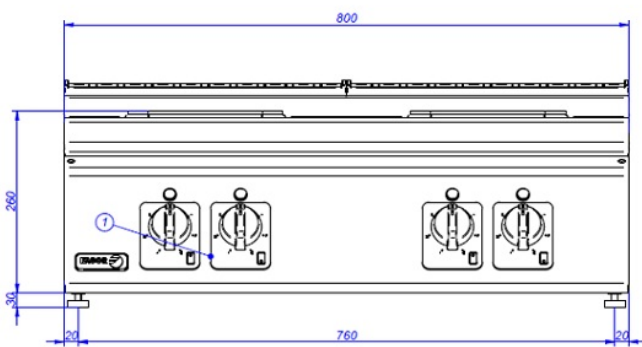
19072312

04/09/2023

C-E740



C-E740 Q



E. Conexión eléctrica
1. Mando placas M

Electrical connection
M plates control