



Catalogue
FOOD SERVICE
Chapter
COOKING

Specific model
MCIE-300 A M 50-60 Hz 380-400V 3N

19084229

16/11/2021

DENOMINATION:

Cylindrical boiling pan with mixer indirectly pressure heated electric 300 L

DESCRIPTION :

- Well with AISI-316 stainless steel bottom with a thickness of between 20/10 and 40/10, suitable for products that are particularly acidic.
- AISI-304 stainless steel cooking well walls with thickness of between 20/10 and 25/10.
- Tank drainage hole with a removable filter.
- 2" front drainage tap with insulated athermic handle.
- Double wall with AISI-304 stainless steel bottom and walls.
- AISI-304 stainless steel cover with a thickness of 15/10, fitted with a chromed steel zip with preloading springs and an athermic handle.
- Gauge for controlling pressure inside the double wall.
- Manual air escape valve for depressurising the air produced in the double wall during the heating process.
- Stainless steel supporting structure with a thickness of 30/10 fitted on steel feet with an adjustable height.
- AISI-304 satin stainless steel external walls with a thickness of 10/10.
- AISI-304 stainless steel satin shelf with a thickness of 15/10.
- Removable inner coating to enable easy inspection of internal parts.
- Heat insulation guaranteed by high-density ceramic fibre plates.
- Mixing system:
 - . AISI-316 stainless steel mixer with an adjustable rotation speed of between 7 and 28 g/m with a force of up to 386 N-m
 - . Possibility to reverse the operating direction with the electronic switch.
 - . Removable mixer to ease cleaning and product extraction.
 - . Mixer fitted with stainless steel radial arms and Teflon ceramic blades."
- "- Heated by heating elements immersed in Incoloy alloy with adjustable power thanks to an energy variator.
- Thermoregulation and electronic time delay of the temperature and process time.
- Heating elements fitted with a safety thermostat which ensures that the machine does not operate in the event of overheating or insufficient water.
- Water control in the double wall with maximum/minimum taps and an

DIMENSIONS



X Width	1320 mm	X Gross width	1370 mm
Y Depth	1200 mm	Y Gross depth	1370 mm
Z Height	950 mm	Z Gross height	1340 mm
Net Weight	170,0 kg	Gross Weight	225,0 kg
Net volume	1,505 m3	Gross volume	2,515 m3





Catalogue
FOOD SERVICE

Capítulo
COOKING

Modelo
MCIE-300 A M 50-60 Hz 380-400V 3N

19084229

16/11/2021

automatic water load option with probes.
- Pressure control of the double wall through a pressure switch and a safety valve set to 0.5 bar, a depression valve and a gauge.
- Standard operating voltage of 400V-3N-50Hz."

POSSIBLE ACCESSORIES :

- ACCESSORIES LARGE CAP.

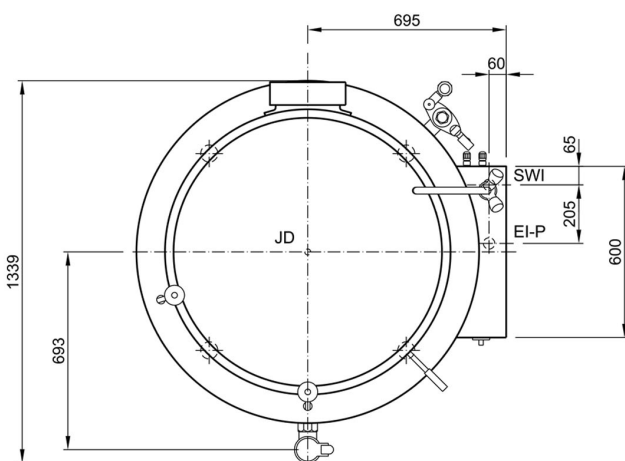
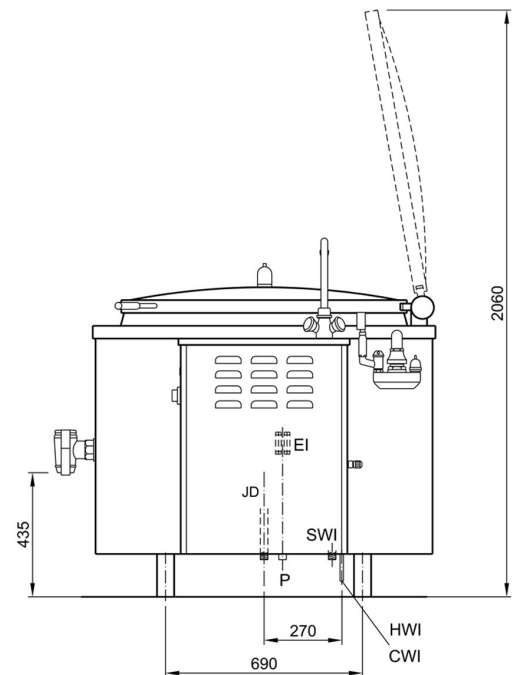
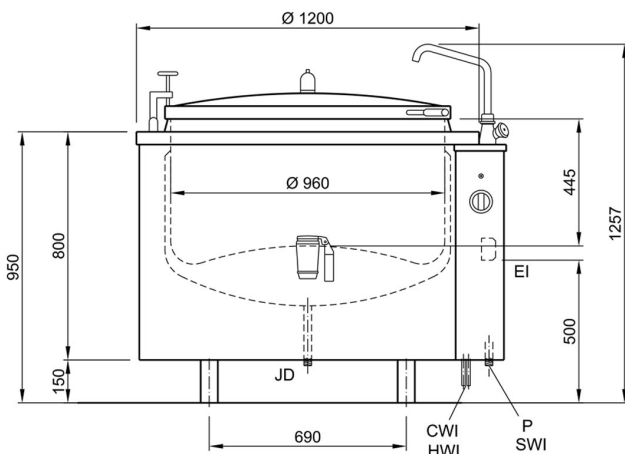
Catalogue
FOOD SERVICE

Capitolo
COOKING

Modelo
MCIE-300 A M 50-60 Hz 380-400V 3N

19084229

16/11/2021



ALLACCIAMENTI - BRANCHEMENTS - CONNECTIONS

HWI -	ACQUA CALDA EAU CHAUDE HOT WATER	100 - 250 kPa (1 - 2,5 bar)	1/2" F
CWI -	ACQUA FREDDA EAU FROIDE COLD WATER	100 - 250 kPa (1 - 2,5 bar)	1/2" F
SWI -	ACQUA ADDOLCITA - OPZIONALE EAU DEMINERALISE - OPTIONAL SOFTENED WATER - OPTIONAL	100 - 250 kPa (1 - 2,5 bar)	3/4" M
JD -	SCARICO INTERCAPEDINE VIDANGE CHEMISE JACKET DRAIN		1/2" M
EI -	CAVO ELETTRICO CABLE ELECTRIQUE ELECTRIC CABLE	STANDARD - 380-415V 3N 50-60Hz OPTIONAL - 380-415V 3 50-60Hz	36kW 36kW
P -	PASSACAVO PRESSE ETOUPE CABLE GLAND	OPTIONAL - 220-240V 3 50-60Hz	36kW