

**Catalogue**  
**FOOD SERVICE**  
**Chapter**  
**COOKING**

**Model**  
**C-I745 400V 3~**

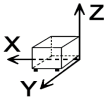
19057293

09/03/2020

**INDUCTION COOKER, C-I745**

- 6 mm thick vitro ceramic glass, hermetically sealed in the 1.5 mm thick AISI-304 stainless steel surface top.
- Laser-cut joints and automatic welding. Hidden screws.
- Cooking areas demarcated by a circular Ø 260 mm screen print, with 5 kW power in each area, quick heating and ideal for à la carte service.
- Perfect control of cooking thanks to the energy regulator with 10 power levels which makes it possible to work at low temperatures for delicate recipes or at the highest temperature for quick service.
- Energy is only transferred to the area below the container and the rest of the vitro ceramic surface remains cold.
- It operates when it detects the presence of the container. When the container is removed, it stops heating.
- Consequently, it provides considerable energy savings (energy use is reduced by around 50% compared to gas burners).
- The working environment and atmosphere are more comfortable since the energy is concentrated at the base of the pan, heat radiation and dispersal are reduced and the cooking temperature is reached quickly.
- Safety against overheating. Error messages shown through flashing lights.
- High-temperature enamelled cast iron flue protector.
- Access to components from the front.
- Machines with IPX5 grade water protection.
- Four cooking areas demarcated by a circular Ø 260 mm screen print, with 5 kW power in each area, quick heating and ideal for à la carte service.
- "
- "

**DIMENSIONS**



X Width	800 mm	X Gross width	840 mm
Y Depth	730 mm	Y Gross depth	822 mm
Z Height	290 mm	Z Gross height	535 mm
Net Weight	85,0 kg	Gross Weight	103,0 kg
Net volume	0,170 m3	Gross volume	0,369 m3

**ELECTRICITY TECHNICAL SPECIFICATIONS**

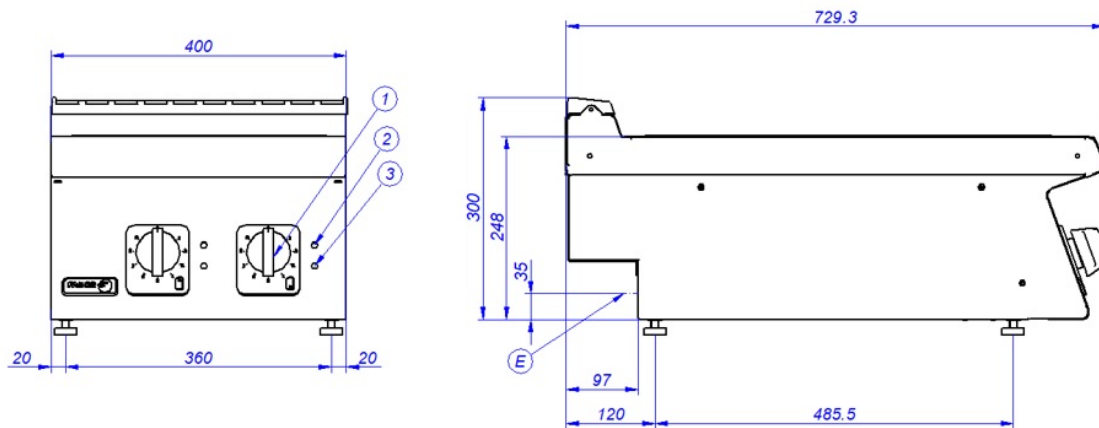
Electric power	20,000 kW
Amperage (A)	29A
Heating power	20,00 kW
Voltage	400V - 3~
Electric frequency	50/60Hz

**CONNECTIONS TECHNICAL SPECIFICATIONS**

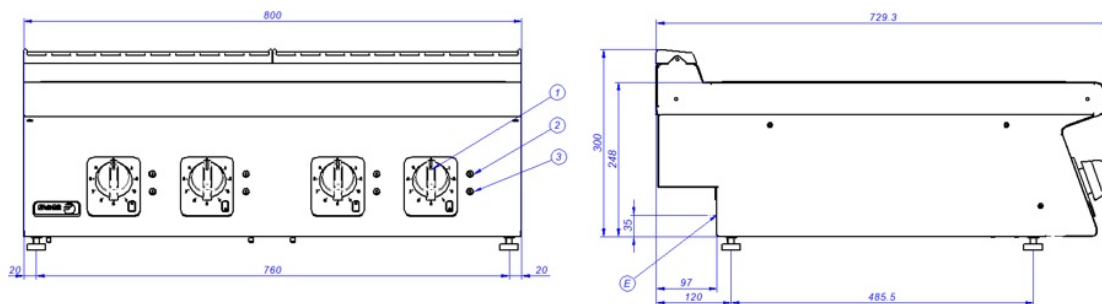
Three-phase +N 400V wiring	3X6MM2+T+N
----------------------------	------------



**C-I725**



**C-I745**



E – Conexión eléctrica  
1 – Mando eléctrico  
2 – Piloto verde  
3 – Piloto ámbar

Electrical connection  
Electric control  
Green pilot  
Ambar pilot

Connexion électrique  
Commande électrique  
Lumière verte  
Lumière ambre