



**Catalogue**  
FOOD SERVICE  
**Chapter**  
COOKING

**Specific model**  
MCIG-200 A LPG 50-60 Hz 220-230V 3N

19001447

16/11/2021

**DENOMINATION:**

Cylindrical boiling pan indirectly pressure heated gas 200 L

**DESCRIPTION :**

- Boiling pan with cylindrical structure and recipient, suitable for placement in transit areas with reduced dimensions where appliances with sharp edges and surfaces may cause ergonomic and movement problems, allowing it to be used comfortably from different angles.
- Well with AISI-316 stainless steel bottom with a thickness of between 20/10 and 40/10, suitable for products that are particularly acidic.
- AISI-304 stainless steel walls with a thickness of between 20/10 and 40/10.
- Double wall in indirect versions.
- AISI-304 stainless steel cover with a thickness of 15/10, balance springs and an athermic handle.
- Supporting structure in AISI-304 stainless steel.
- Satin AISI-304 exterior coating.
- Adjustable stainless-steel feet.
- Heat insulation guaranteed by high-density ceramic fibre plates.
- Tank drainage hole with a removable filter.
- Front drainage tap with an insulated athermic handle.
- Gauge for controlling pressure inside the double wall.
- Manual valve for emptying air in order to depressurise the chamber during heating.
- Water is added to the well through a tap with a moveable outlet.
- "- High-performance stainless-steel tubular burners.
- Manual piezoelectric ignition and pilot flame.
- Smoke extraction grille.
- Tap with safety valve and thermocouples (direct version)."

**POSSIBLE ACCESSORIES :**

- ACCESSORIES LARGE CAP.

**DIMENSIONS**



X Width	1090 mm	X Gross width	1160 mm
Y Depth	1195 mm	Y Gross depth	1190 mm
Z Height	900 mm	Z Gross height	1270 mm
Net Weight	203,0 kg	Gross Weight	238,0 kg
Net volume	1,000 m3	Gross volume	1,753 m3

**ELECTRICITY TECHNICAL SPECIFICATIONS**

Voltage	230V - 1N
Electric frequency	50Hz

**GAS TECHNICAL SPECIFICATIONS**

Gas type	LPG
Gas power	36,00 kW
Gas consumption	2,290 kg/h

**CONNECTIONS TECHNICAL SPECIFICATIONS**

Gas diameter 1	R 3/4"
Water inlet diameter	R=1/2"



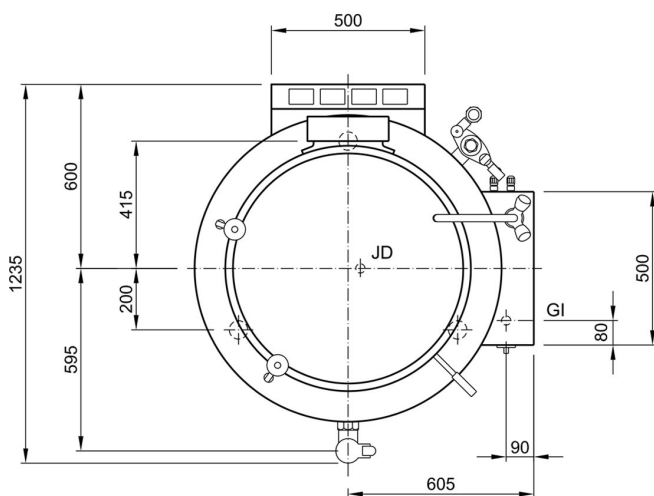
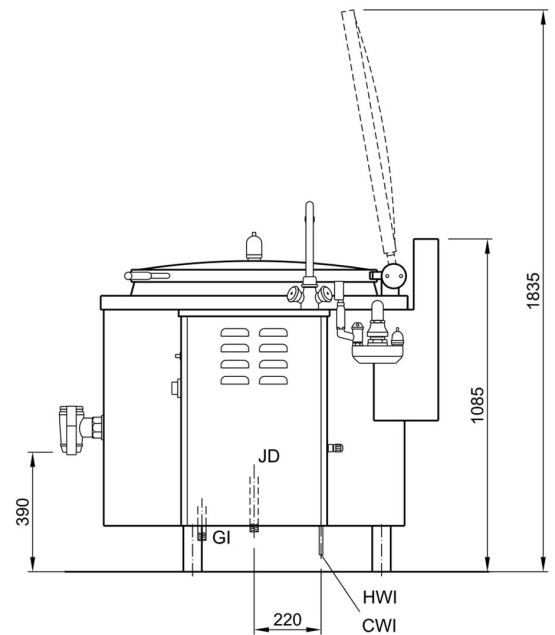
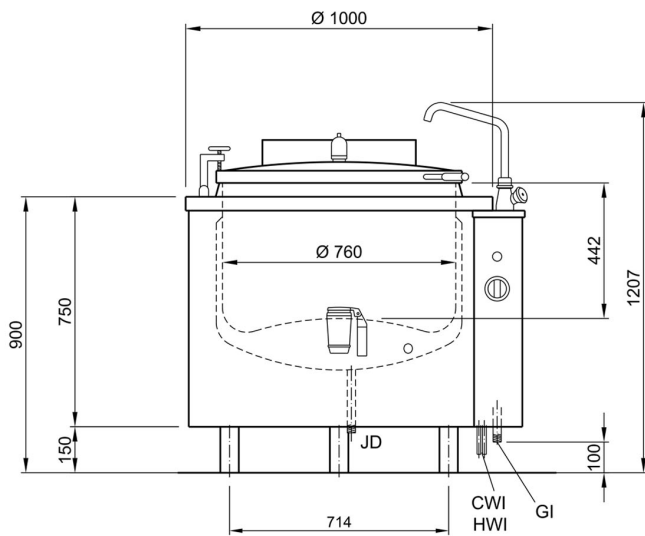
Catalogue  
**FOOD SERVICE**

Capitolo  
**COOKING**

Modelo  
**MCIG-200 A LPG 50-60 Hz 220-230V 3N**

19001447

16/11/2021



**ALLACCIAMENTI - BRANCHEMENTS - CONNECTIONS - ANSCHLUSSE**

HWI -	ACQUA CALDA EAU CHAUDE HOT WATER	100 - 250 kPa (1 - 2,5 bar)	1/2" F
CWI -	ACQUA FREDDA EAU FROIDE COLD WATER	100 - 250 kPa (1 - 2,5 bar)	1/2" F
JD -	SCARICO INTERCAPEDINE VIDANGE CHEMISE JACKET DRAIN		1/2" M
GI -	ARRIVO GAS ENTREE GAZ GAS INLET	39 KW	1/2" ISO 7/1 R1