



Catalogue
FOOD SERVICE
Chapter
COOKING

Specific model
MCIE-200 A 50-60 Hz 380-400V 3N

19001442

16/11/2021

DENOMINATION:

Cylindrical boiling pan indirectly pressure heated electric 200 L

DESCRIPTION :

- Boiling pan with cylindrical structure and recipient, suitable for placement in transit areas with reduced dimensions where appliances with sharp edges and surfaces may cause ergonomic and movement problems, allowing it to be used comfortably from different angles.
- Well with AISI-316 stainless steel bottom with a thickness of between 20/10 and 40/10, suitable for products that are particularly acidic.
- AISI-304 stainless steel walls with a thickness of between 20/10 and 40/10.
- Double wall in indirect versions.
- AISI-304 stainless steel cover with a thickness of 15/10, balance springs and an athermic handle.
- Supporting structure in AISI-304 stainless steel.
- Satin AISI-304 exterior coating.
- Adjustable stainless-steel feet.
- Heat insulation guaranteed by high-density ceramic fibre plates.
- Tank drainage hole with a removable filter.
- Front drainage tap with an insulated athermic handle.
- Gauge for controlling pressure inside the double wall.
- Manual valve for emptying air in order to depressurise the chamber during heating.
- Water is added to the well through a tap with a moveable outlet.
- "- The pressure or autoclave versions allow the cooking cycles to speed up through the day. They are fitted with a silicone rubber airtight joint and clamps to hermetically close it and a safety valve set to 0.05 bar."

POSSIBLE ACCESSORIES :

- ACCESSORIES LARGE CAP.

DIMENSIONS



X Width	1060 mm	X Gross width	1070 mm
Y Depth	1000 mm	Y Gross depth	1150 mm
Z Height	900 mm	Z Gross height	1280 mm
Net Weight	160,0 kg	Gross Weight	195,0 kg
Net volume	0,900 m3	Gross volume	1,575 m3

ELECTRICITY TECHNICAL SPECIFICATIONS

Electric power	24,000 kW
Voltage	400V - 3N
Electric frequency	50Hz

CONNECTIONS TECHNICAL SPECIFICATIONS

230 V three-phase wiring	CONSULTAR
Single-phase 230V wiring	NO
Three-phase +N 400V wiring	5 X 10 MM2 (28 A)
Water inlet diameter	R=1/2"



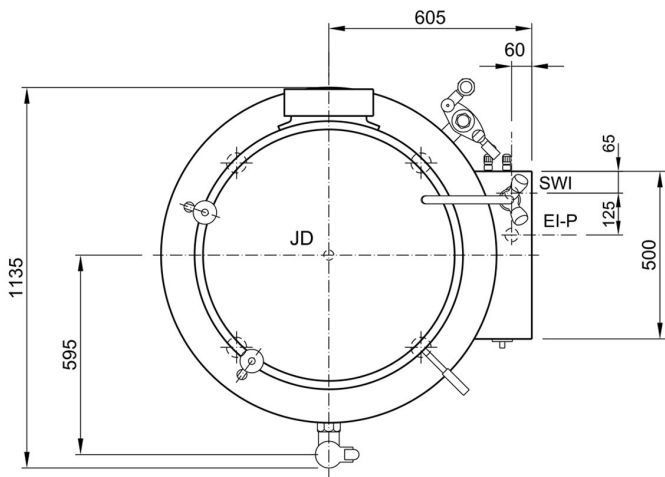
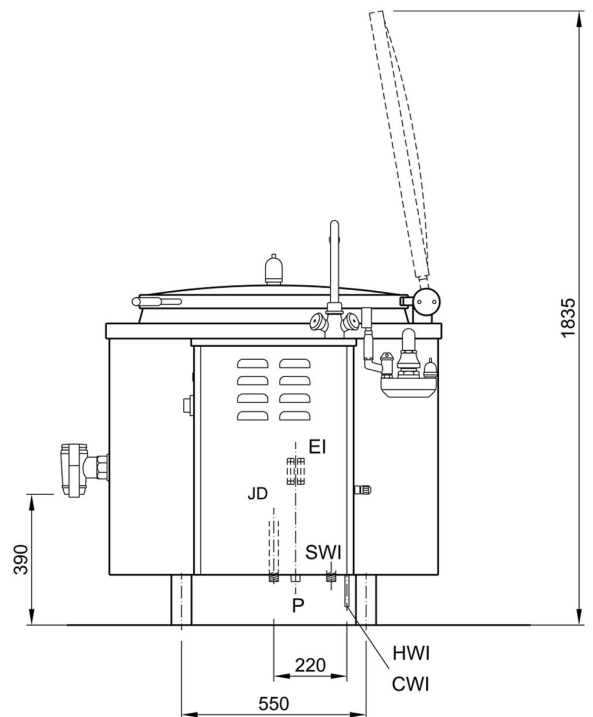
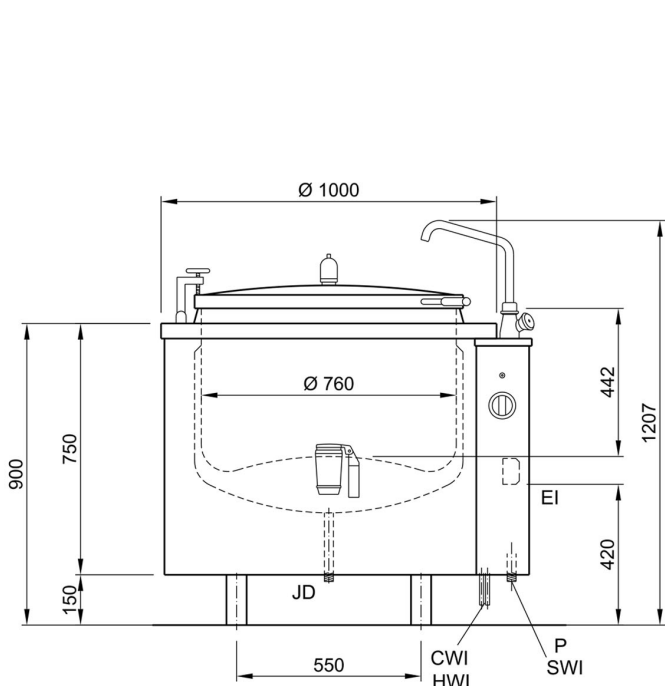
Catalogue
FOOD SERVICE

Capitolo
COOKING

Modelo
MCIE-200 A 50-60 Hz 380-400V 3N

19001442

16/11/2021



ALLACCIAMENTI - BRANCHEMENTS - CONNECTIONS

HWI -	ACQUA CALDA EAU CHAUDE HOT WATER	100 - 250 kPa (1 - 2,5 bar)	1/2" F
CWI -	ACQUA FREDDA EAU FROIDE COLD WATER	100 - 250 kPa (1 - 2,5 bar)	1/2" F
SWI -	ACQUA ADDOLCITA - OPZIONALE EAU DEMINERALISE - OPTIONAL SOFTENED WATER - OPTIONAL	100 - 250 kPa (1 - 2,5 bar)	3/4" M
JD -	SCARICO INTERCAPEDINE VIDANGE CHEMISE JACKET DRAIN		1/2" M
EI -	CAVO ELETTRICO CABLE ELECTRIQUE ELECTRIC CABLE	STANDARD - 380-415V 3N 50-60Hz OPTIONAL - 380-415V 3 50-60Hz	24kW 24kW
P -	PASSACAVO PRESSE ETUPE CABLE GLAND	OPTIONAL - 220-240V 3 50-60Hz	24kW