



Catalogue
FOOD SERVICE
Chapter
COOKING

Specific model
MCBG-300 LPG 50-60 Hz 380-415V 3N

19001228

16/11/2021

DENOMINATION:

Cylindrical tilting boiling pan directly heated with gas 300 L

DESCRIPTION :

- "- Automatic tilting boiling pan with lateral loading columns. The tilting of the well eases the transfer of solid foods. This is the quickest and easiest way of cooking high quantities.
- Cooking well with an AISI-316 stainless steel bottom with a thickness of between 20/10 and 40/10, and an AISI-304 stainless steel double wall with thicknesses of between 20/10 and 25/10.
- AISI-304 stainless steel cover with a thickness of 15/10, balance springs; an athermic handle and an insulated cover available upon request.
- Gauge for controlling pressure inside the double wall.
- Manual air escape valve for depressurising the air produced in the double wall during the heating process.
- Adjustable chromed bronze mixer with hot and cold water.
- Weight safety valve set to 0.5 bar.
- Stainless steel supporting structure with a thickness of 30/10 fitted on a frame.
- Fine satin AISI-304 exterior. Thermal insulation guaranteed by high-density ceramic fibre panels."
- "- High-performance stainless-steel tubular burners.
- Manual piezoelectric ignition and pilot flame.
- Smoke extraction grille."

POSSIBLE ACCESSORIES :

- ACCESSORIES LARGE CAP.

DIMENSIONS



X Width	1960 mm	X Gross width	2040 mm
Y Depth	1325 mm	Y Gross depth	1440 mm
Z Height	1300 mm	Z Gross height	1720 mm
Net Weight	410,0 kg	Gross Weight	480,0 kg
Net volume	2,691 m3	Gross volume	5,053 m3

ELECTRICITY TECHNICAL SPECIFICATIONS

Electric power	0,500 kW
Voltage	230V - 1N
Electric frequency	50Hz

GAS TECHNICAL SPECIFICATIONS

Gas type	LPG
Gas power	39,00 kW
Gas consumption	3,470 kg/h

CONNECTIONS TECHNICAL SPECIFICATIONS

Three-phase +N 400V wiring	5X1,5+T - 2 A
Gas diameter 1	R 3/4"

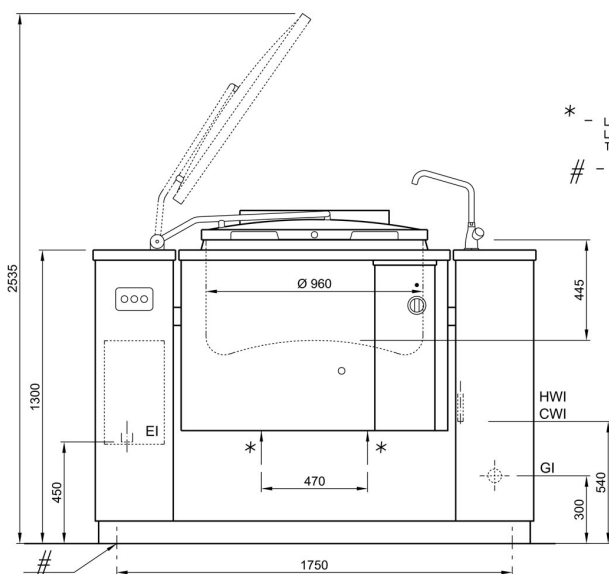
Catalogue
FOOD SERVICE

Capitolo
COOKING

Modelo
MCBG-300 LPG 50-60 Hz 380-415V 3N

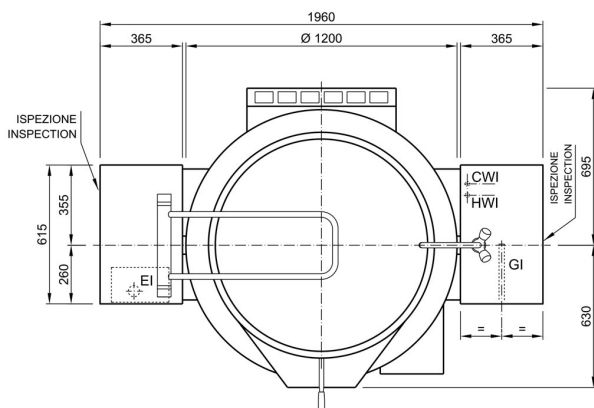
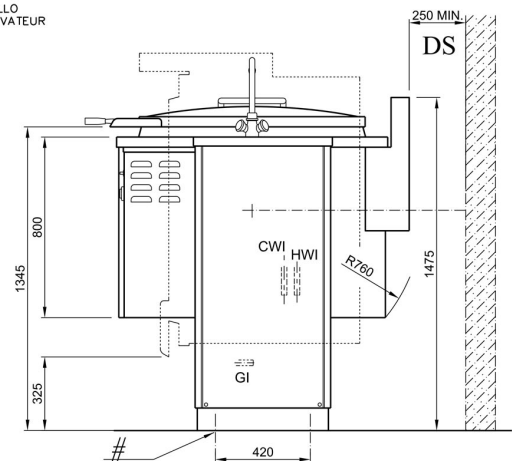
19001228

16/11/2021



* - LINEA DI SOLLEVAMENTO CON CARRELLO
LIGNE DE LEVAGE AVEC CHARIOT ELEVATEUR
TROLLEY LIFTING LINE

- N° 4 VITI M12
N° 4 VIS M12
NR. 4 M12 SCREWS



ALLACCIAMENTI - BRANCHEMENTS - CONNECTIONS

HWI -	ACQUA CALDA EAU CHAUDE HOT WATER	100 - 250 kPa (1-2,5 bar)	1/2" F
CWI -	ACQUA FREDDA EAU FROIDE COLD WATER	100 - 250 kPa (1-2,5 bar)	1/2" F
GI -	ARRIVO GAS ENTREE GAZ GAS INLET	39 kW	1/2" ISO 7/1 R1
EI -	ARRIVO CAVI ELETTRICI ENTREE CABLE ELECTRIQUE ELECTRIC CORD ENTRY	(STANDARD) 380-415V 3N 50-60Hz 0,37kW (OPTIONAL) 380-415V 3 50-60Hz 0,37kW (OPTIONAL) 220-230V 3 50-60Hz 0,37kW (OPTIONAL) 220-230V 1N 50-60Hz 0,37kW	
DS -	DISTANZA DI SICUREZZA ESPACE DE SECURITE SAFETY CLEARANCE		