



**Catalogue**  
**FOOD SERVICE**  
**Chapter**  
**COOKING**

**Specific model**  
MCBIG-150 LPG 50-60 Hz 380-415V 3N

19001286

16/11/2021

**DENOMINATION:**

Cylindrical tilting boiling pan indirectly heated with gas 150 L

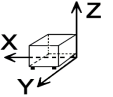
**DESCRIPTION :**

- "- Automatic tilting boiling pan with lateral loading columns. The tilting of the well eases the transfer of solid foods. This is the quickest and easiest way of cooking high quantities.
- Cooking well with an AISI-316 stainless steel bottom with a thickness of between 20/10 and 40/10, and an AISI-304 stainless steel double wall with thicknesses of between 20/10 and 25/10.
- AISI-304 stainless steel cover with a thickness of 15/10, balance springs; an athermic handle and an insulated cover available upon request.
- Gauge for controlling pressure inside the double wall.
- Manual air escape valve for depressurising the air produced in the double wall during the heating process.
- Adjustable chromed bronze mixer with hot and cold water.
- Weight safety valve set to 0.5 bar.
- Stainless steel supporting structure with a thickness of 30/10 fitted on a frame.
- Fine satin AISI-304 exterior. Thermal insulation guaranteed by high-density ceramic fibre panels."
- "- High-performance stainless-steel tubular burners.
- Manual piezoelectric ignition and pilot flame.
- Smoke extraction grille."

**POSSIBLE ACCESSORIES :**

- ACCESSORIES LARGE CAP.

**DIMENSIONS**



X Width	1600 mm	X Gross width	1680 mm
Y Depth	970 mm	Y Gross depth	1060 mm
Z Height	1050 mm	Z Gross height	1470 mm
Net Weight	395,0 kg	Gross Weight	445,0 kg
Net volume	1,428 m3	Gross volume	2,618 m3

**ELECTRICITY TECHNICAL SPECIFICATIONS**

Electric power	0,400 kW
Voltage	400V - 3N
Electric frequency	50Hz

**GAS TECHNICAL SPECIFICATIONS**

Gas type	LPG
Gas power	24,00 kW
Gas consumption	2,050 kg/h

**CONNECTIONS TECHNICAL SPECIFICATIONS**

Three-phase +N 400V wiring	5X1,5+T - 2 A
Gas diameter 1	R 3/4"

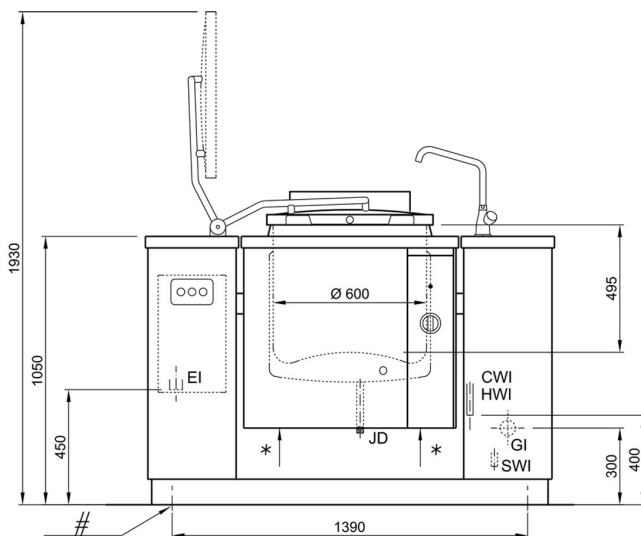
Catalogue  
**FOOD SERVICE**

Capitolo  
**COOKING**

Modelo  
**MCBIG-150 LPG 50-60 Hz 380-415V 3N**

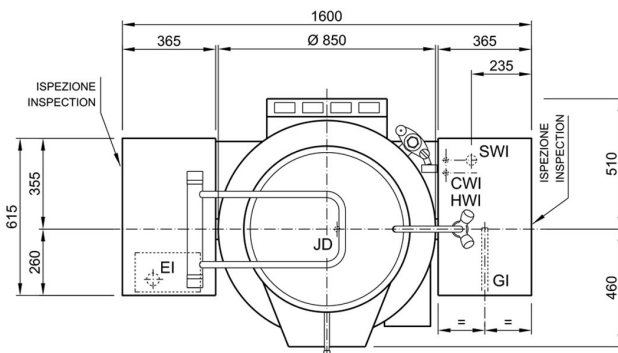
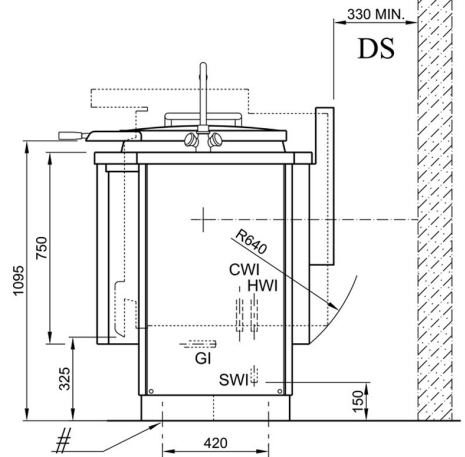
19001286

16/11/2021



\* - LINEA DI SOLLEVAMENTO CON CARRELLO  
LIGNE DE LEVAGE AVEC CHARIOT ELEVATEUR  
TROLLEY LIFTING LINE

# - N° 4 VITI M12  
N° 4 VIS M12  
NR. 4 M12 SCREWS



ALLACCIAMENTI - BRANCHEMENTS - CONNECTIONS

HWI -	ACQUA CALDA EAU CHAUDE HOT WATER	100 - 250 kPa (1-2,5 bar)	1/2" F
CWI -	ACQUA FREDDA EAU FROIDE COLD WATER	100 - 250 kPa (1-2,5 bar)	1/2" F
SWI -	ACQUA ADDOLCITA - OPZIONALE EAU DEIONISEE - OPTIONAL SOFTENED WATER - OPTIONAL	100 - 250 kPa (1-2,5 bar)	3/4" M
GI -	ARRIVO GAS ENTREE GAZ GAS INLET	24 kW	1/2" ISO 7/1 R1
JD -	SCARICO INTERCAPEDINE VIDANGE CHEMISE JACKET DRAIN		1/2" M
EI -	ARRIVO CAVI ELETTRICI ENTREE CABLE ELECTRIQUE ELECTRIC CORD ENTRY	(STANDARD) 380-415V 3N 50-60Hz (OPTIONAL) 380-415V 3 50-60Hz (OPTIONAL) 220-230V 3 50-60Hz (OPTIONAL) 220-230V 1N 50-60Hz	0,37kW 0,37kW 0,37kW
DS -	DISTANZA DI SICUREZZA ESPACE DE SECURITE SAFETY CLEARANCE		