



Catalogue
FOOD SERVICE
Chapter
COOKING

Specific model
MCBIV-100 50-60 Hz 380-400V 3N

19003072

16/11/2021

DENOMINATION:

Cylindrical tilting boiling pan indirectly heated steam 100 L

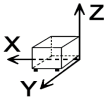
DESCRIPTION :

- "- Automatic tilting boiling pan with lateral loading columns. The tilting of the well eases the transfer of solid foods. This is the quickest and easiest way of cooking high quantities.
- Cooking well with an AISI-316 stainless steel bottom with a thickness of between 20/10 and 40/10, and an AISI-304 stainless steel double wall with thicknesses of between 20/10 and 25/10.
- AISI-304 stainless steel cover with a thickness of 15/10, balance springs; an athermic handle and an insulated cover available upon request.
- Gauge for controlling pressure inside the double wall.
- Manual air escape valve for depressurising the air produced in the double wall during the heating process.
- Adjustable chromed bronze mixer with hot and cold water.
- Weight safety valve set to 0.5 bar.
- Stainless steel supporting structure with a thickness of 30/10 fitted on a frame.
- Fine satin AISI-304 exterior. Thermal insulation guaranteed by high-density ceramic fibre panels."
- "- Heated by steam (from the user's connection) through a valve that allows steam to be added gradually into the liner."

POSSIBLE ACCESSORIES :

- ACCESSORIES LARGE CAP.

DIMENSIONS



X Width	1600 mm	X Gross width	1670 mm
Y Depth	885 mm	Y Gross depth	950 mm
Z Height	1050 mm	Z Gross height	1420 mm
Net Weight	250,0 kg	Gross Weight	300,0 kg
Net volume	1,428 m3	Gross volume	2,253 m3

ELECTRICITY TECHNICAL SPECIFICATIONS

Electric power	0,500 kW
Voltage	230V - 1N
Electric frequency	50Hz

STEAM TECHNICAL SPECIFICATIONS

Steam power	60,00 kW
Steam pressure	45,00 bar

CONNECTIONS TECHNICAL SPECIFICATIONS

Three-phase +N 400V wiring	5X2,5 MM2
----------------------------	-----------



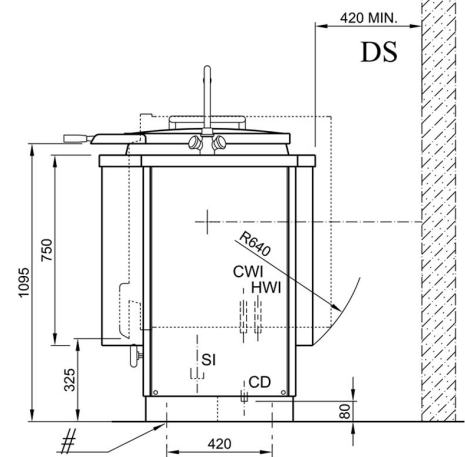
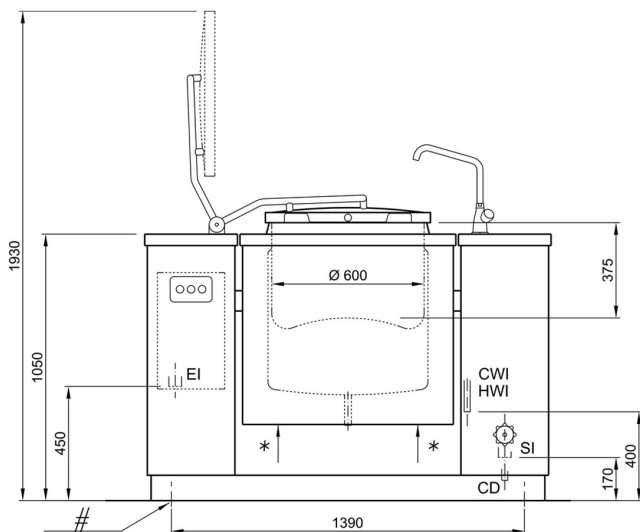
Catalogue
FOOD SERVICE

Capitolo
COOKING

Modelo
MCBIV-100 50-60 Hz 380-400V 3N

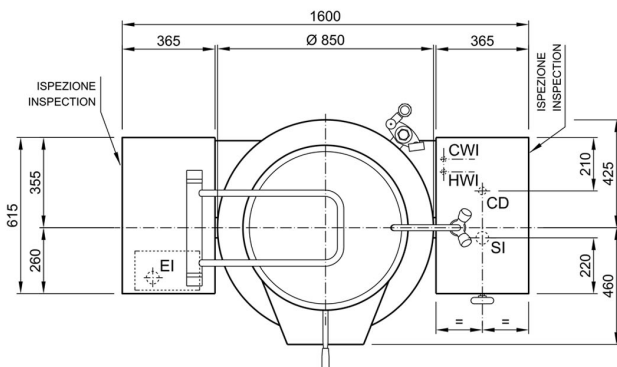
19003072

16/11/2021



* - LINEA DI SOLLEVAMENTO CON CARRELLO
LIGNE DE LEVAGE AVEC CHARIOT ELEVATEUR
TROLLEY LIFTING LINE

- N° 4 VITI M12
N° 4 VIS M12
NR. 4 M12 SCREWS



ALLACCIAMENTI - CONNECTIONS

HWI - ACQUA CALDA HOT WATER		100 -250 kPa (1 - 2,5 bar)	1/2" F
CWI - ACQUA FREDDA COLD WATER		100 -250 kPa (1 - 2,5 bar)	1/2" F
CD - SCARICO CONDENSA CONDENSATE DRAIN			1/2" M
EI - ARRIVO CAVI ELETTRICI ELECTRIC CORD ENTRY	STANDARD	380-415V 3N 50-60HZ	0,37KW
	OPTIONAL	380-415V 3 50-60HZ	0,37KW
	OPTIONAL	220-240V 3 50-60HZ	0,37KW
	OPTIONAL	220-240V 1 50-60HZ	0,37KW
SI - VAPORE STEAM		45 kPa (0,45 bar) MAX	1-1/4" F
CONSUMO VAPORE PER RAGGIUNGERE L'EBOLLIZIONE STEAM CONSUMPTION TO REACH BOILING TEMPERATURE			60 kg/h
CONSUMO VAPORE PER MANTENERE L'EBOLLIZIONE STEAM CONSUMPTION TO KEEP UP BOILING			6 kg/h
DS - DISTANZA DI SICUREZZA SAFETY CLEARANCE			