

**Catalogue**  
FOOD SERVICE  
**Chapter**  
COOKING

**Specific model**  
C-G910 LPG

19075517

11/11/2021

**DENOMINATION:**

Countertop gas solid top LPG, 900 range.

**DESCRIPTION :**

- "- Inbuilt surface tops manufactured in 2 mm thick AISI-304 stainless steel.
- Laser-cut joints, automatic welding and polishes. Screws hidden from view.
- 10 mm thick cast iron plate with rounded corners. 300 mm diameter surface.
- Refractory brick with cast iron shield inside to take better advantage of the heat and distribute it better.
- Temperatures for differentiated use: 500 °C at the centre and 200 °C near the edges.
- Low consumption pilot and thermocouple.
- Gas conduction in flexible stainless steel tube, making internal manipulation easier and facilitating any repair work.
- Controls set on a protective base with system against water infiltration.
- High temperature enamelled cast iron flue protector aligned with the hobs, facilitating manoeuvrability and support of the containers, increasing the useful surface area.
- Access to the components from the front."

**POSSIBLE ACCESSORIES :**

- STANDS 900
- REFRIGERATED STANDS
- ACCESSORIES KORE
- COOKER ACCESSORIES KORE
- TALL CHIMNEY KORE

**DIMENSIONS**



X Width	800 mm	X Gross width	840 mm
Y Depth	930 mm	Y Gross depth	1022 mm
Z Height	290 mm	Z Gross height	535 mm
Net Weight	143,0 kg	Gross Weight	155,0 kg
Net volume	0,220 m3	Gross volume	0,459 m3

**ELECTRICITY TECHNICAL SPECIFICATIONS**

Voltage	N/A
Electric frequency	N/A

**GAS TECHNICAL SPECIFICATIONS**

Gas type	LPG
Gas power	11,50 kW
Gas consumption	0,850 kg/h
Regulated	LPG G30/G31 28-30/37 mbar NG G20/G25/G25.1 20/25/25 mbar

**CONNECTIONS TECHNICAL SPECIFICATIONS**

Gas diameter 1	R3/4"
----------------	-------

Catalogue  
**FOOD SERVICE**

Capítulo  
**COOKING**

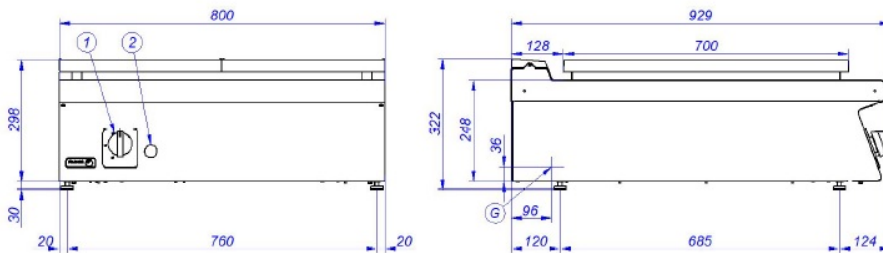
Modelo  
**C-G910 LPG**

19075517

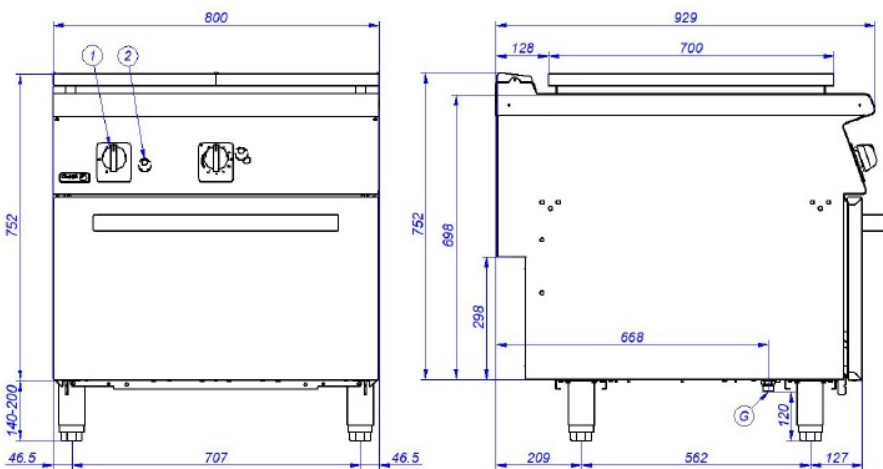
11/11/2021



**C-G910**



**C-G911**



- G. Entrada de Gas  
1. Válvula de gas  
2. Pulsador tren de chispas  
3. Mando H

- Gas Inlet  
Gas valve  
Piezoelectric ignitor  
H control