



**Catalogue**  
FOOD SERVICE  
**Chapter**  
COOKING

**Specific model**  
MRIV-500

19001426

16/11/2021

**DENOMINATION:**

Rectangular boiling pan indirectly heated steam 500 L

**DESCRIPTION :**

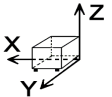
"- Rectangular boiling pan with a cylindrical well. Can be assembled on its own or with other machines. Thanks to its rigidity and functionality, it is suitable for prolonged and continuous use.

- Cooking well with an AISI-316 stainless steel bottom with a thickness of between 20/10 and 40/10, and AISI-304 stainless steel walls with thicknesses of between 20/10 and 25/10.
  - Tank drainage hole with a removable filter.
  - Front drainage tap with insulated athermic handle.
  - AISI-304 stainless steel cover with a thickness of 15/10, fitted with a chromed steel zip with preloading springs and an athermic handle.
  - Gauge for controlling pressure inside the double wall.
  - Manual air escape valve for depressurising the air produced in the double wall during the heating process.
  - Stainless steel supporting structure with a thickness of 30/10 fitted on steel feet with an adjustable height.
  - AISI-304 satin stainless steel external walls with a thickness of 10/10.
  - AISI-304 stainless steel satin shelf with a thickness of 15/10."
- "- Indirect heating equipment: pressure control in the double wall through a safety valve set to 0.5 bar, a manual depression valve and a gauge."

**POSSIBLE ACCESSORIES :**

- ACCESSORIES LARGE CAP.

**DIMENSIONS**



X Width	1300 mm	X Gross width	1330 mm
Y Depth	1400 mm	Y Gross depth	1480 mm
Z Height	1000 mm	Z Gross height	1420 mm
Net Weight	260,0 kg	Gross Weight	350,0 kg
Net volume	1,488 m3	Gross volume	2,795 m3

**ELECTRICITY TECHNICAL SPECIFICATIONS**

Voltage 230V - 1N

**STEAM TECHNICAL SPECIFICATIONS**

Steam power 115,00 kW

**CONNECTIONS TECHNICAL SPECIFICATIONS**

Water inlet diameter R= 1/2"





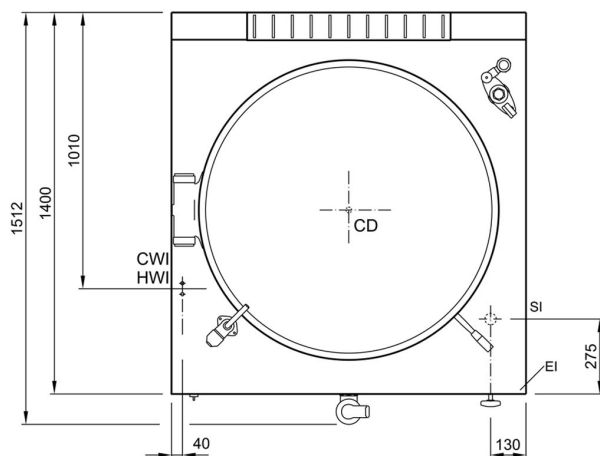
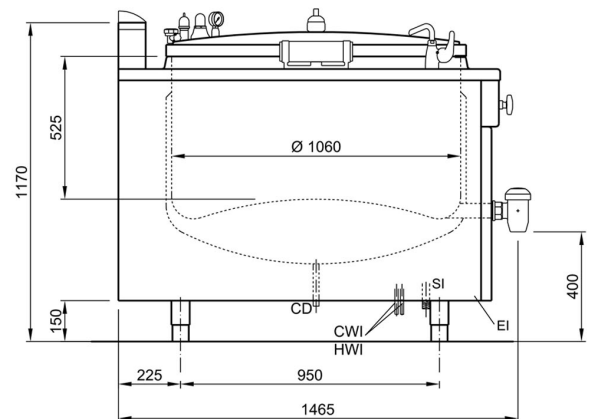
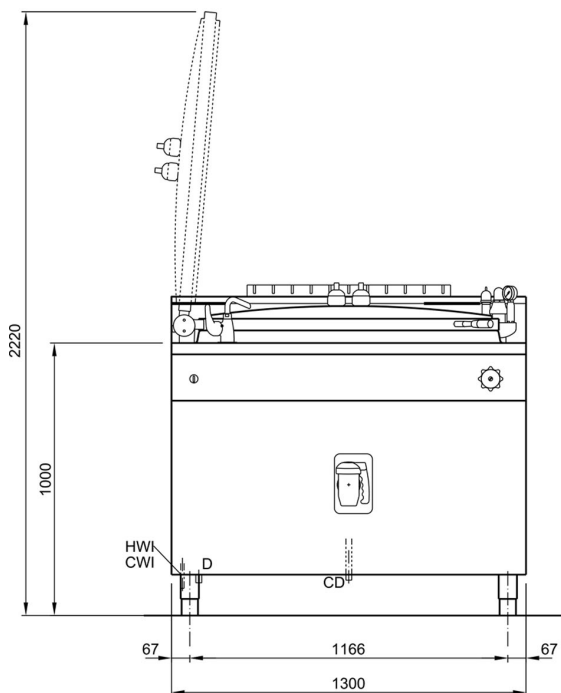
Catalogue  
**FOOD SERVICE**

Capitolo  
**COOKING**

Modelo  
**MRIV-500**

19001426

16/11/2021



**ALLACCIAMENTI - BRANCHEMENTS - CONNECTIONS**

HWI - ACQUA CALDA HOT WATER	100 - 250 kPa (1 - 2,5 bar)	1/2" F
CWI - ACQUA FREDDA COLD WATER	100 - 250 kPa (1 - 2,5 bar)	1/2" F
CD - SCARICO CONDENSA CONDENSATE DRAIN		1/2" M
SI - VAPORE 0,45 bar MAX STEAM 0,45 bar MAX		1-1/4" M
CONSUMO VAPORE PER RAGGIUNGERE L'EBOLLIZIONE STEAM CONSUMPTION TO REACH BOILING TEMPERATURE		115 KG/H
CONSUMO VAPORE PER MANTENERE L'EBOLLIZIONE STEAM CONSUMPTION TO KEEP UP BOILING		24 KG/H
EI - CAVO ELETTRICO - SOLO CON OPTIONALS ELECTRIC CABLE - WITH OPTIONALS ONLY	220-240V 1N 50-60Hz 0,10kW	