



**Catalogue**  
FOOD SERVICE  
**Chapter**  
COOKING

**Specific model**  
MRIE-500 A 50-60 Hz 380-400V 3N

19001275

16/11/2021

**DENOMINATION:**

Rectangular boiling pan indirectly pressure heated electric 500 L

**DESCRIPTION :**

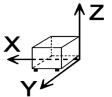
"- Rectangular boiling pan with a cylindrical well. Can be assembled on its own or with other machines. Thanks to its rigidity and functionality, it is suitable for prolonged and continuous use.

- Cooking well with an AISI-316 stainless steel bottom with a thickness of between 20/10 and 40/10, and AISI-304 stainless steel walls with thicknesses of between 20/10 and 25/10.
  - Tank drainage hole with a removable filter.
  - Front drainage tap with insulated athermic handle.
  - AISI-304 stainless steel cover with a thickness of 15/10, fitted with a chromed steel zip with preloading springs and an athermic handle.
  - Gauge for controlling pressure inside the double wall.
  - Manual air escape valve for depressurising the air produced in the double wall during the heating process.
  - Stainless steel supporting structure with a thickness of 30/10 fitted on steel feet with an adjustable height.
  - AISI-304 satin stainless steel external walls with a thickness of 10/10.
  - AISI-304 stainless steel satin shelf with a thickness of 15/10."
- "- Indirect heating equipment: pressure control in the double wall through a safety valve set to 0.5 bar, a manual depression valve and a gauge."

**POSSIBLE ACCESSORIES :**

- ACCESSORIES LARGE CAP.

**DIMENSIONS**



X Width	1300 mm	X Gross width	1330 mm
Y Depth	1400 mm	Y Gross depth	1480 mm
Z Height	1000 mm	Z Gross height	1420 mm
Net Weight	430,0 kg	Gross Weight	520,0 kg
Net volume	1,488 m <sup>3</sup>	Gross volume	2,795 m <sup>3</sup>

**ELECTRICITY TECHNICAL SPECIFICATIONS**

Electric power	48,000 kW
Voltage	400V - 3N
Electric frequency	50Hz

**CONNECTIONS TECHNICAL SPECIFICATIONS**

230 V three-phase wiring	CONSULTAR
Single-phase 230V wiring	NO
Three-phase +N 400V wiring	5 X 10 MM <sup>2</sup> (30 A)
Water inlet diameter	R= 1/2"



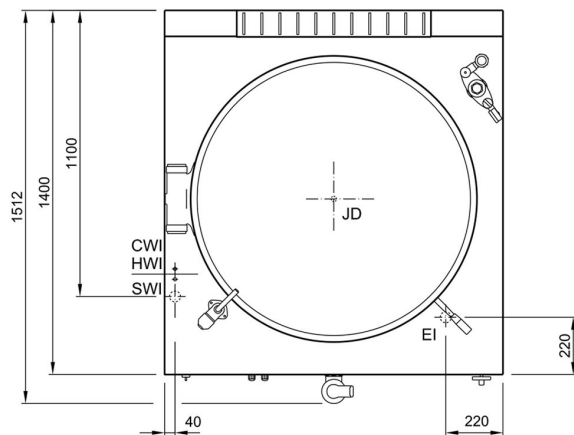
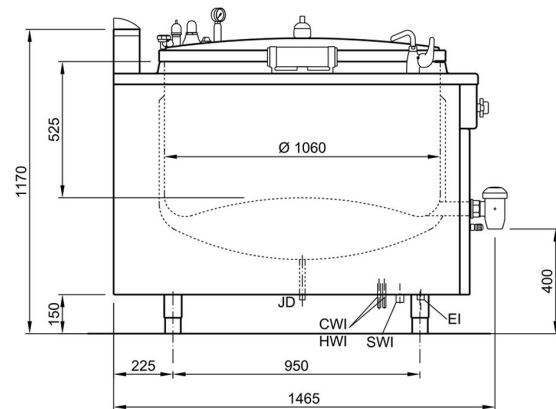
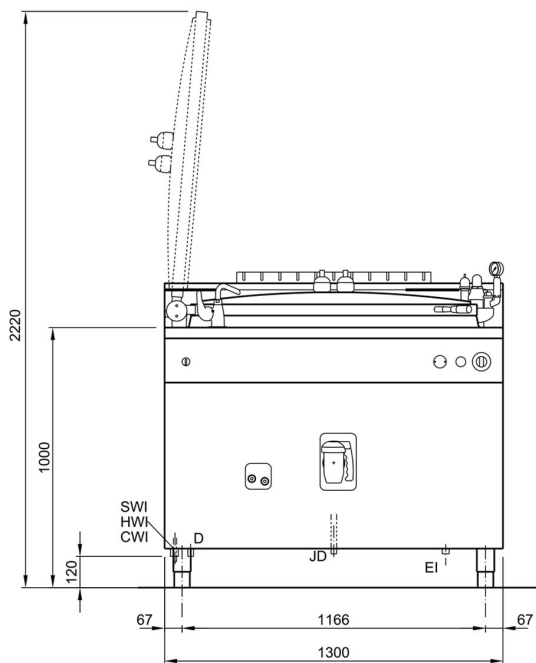
Catalogue  
**FOOD SERVICE**

Capitolo  
**COOKING**

Modelo  
**MRIE-500 A 50-60 Hz 380-400V 3N**

19001275

16/11/2021



**ALLACCIAMENTI - BRANCHEMENTS - CONNECTIONS**

HWI -	ACQUA CALDA EAU CHAUDE HOT WATER	100 - 250 kPa (1 - 2,5 bar)	1/2" F
CWI -	ACQUA FREDDA EAU FROIDE COLD WATER	100 - 250 kPa (1 - 2,5 bar)	1/2" F
SWI -	ACQUA ADDOLCITA - OPZIONALE EAU DEMINERALISE - OPTIONAL SOFTENED WATER - OPTIONAL	100 - 250 kPa (1 - 2,5 bar)	3/4" M
JD -	SCARICO INTERCAPEDINE VIDANGE CHEMISE JACKET DRAIN		1/2" M
EI -	CAVO ELETTRICO CABLE ELECTRIQUE ELECTRIC CABLE	STANDARD - 380-415V 3N 50-60Hz OPTIONAL - 380-415V 3 50-60Hz OPTIONAL - 220-240V 3 50-60Hz	48kW 48kW 48kW