

Catalogue
FOOD SERVICE
Chapter
COOKING

Model
C-I945 400V 3~

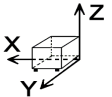
19075578

28/02/2020

INDUCTION COOKER, C-I945

- 6 mm thick vitro ceramic glass, hermetically sealed in the 2 mm thick AISI-304 stainless steel cooktop.
 - Laser-cut joints, automatic welding and polishing. Hidden screws.
 - Perfect control of cooking thanks to the energy regulator with 10 power levels which makes it possible to work at low temperatures for delicate recipes or at the highest temperature for quick service.
 - Energy is only transferred to the area below the container and the rest of the vitro ceramic surface remains cold.
 - It operates when it detects the presence of the container. When the container is removed, it stops heating.
 - Consequently, it provides considerable energy savings (energy use is reduced by around 50% compared to gas burners).
 - The working environment and atmosphere is more comfortable since the energy is concentrated at the base of the pan, heat radiation and dispersal are reduced and the cooking temperature is reached quickly.
 - Safety against overheating. Error messages shown through flashing lights.
 - High-temperature enamelled cast iron flue protector.
 - Access to components from the front.
 - Machine with IPX5 grade water protection.
- Four cooking areas demarcated by a circular Ø 280 mm screen print, with 5 kW power in each area, quick heating and ideal for à la carte service.
- "
- "

DIMENSIONS



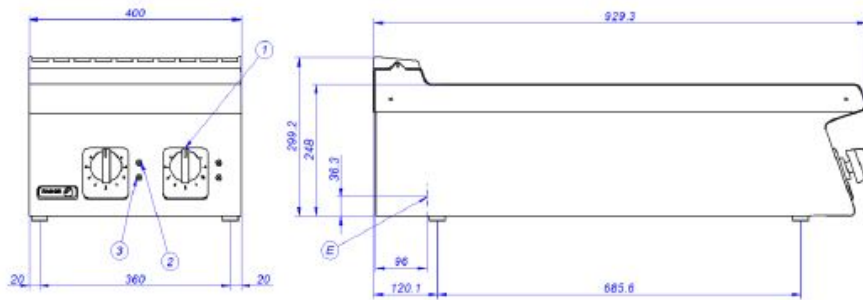
X Width	800 mm	X Gross width	840 mm
Y Depth	930 mm	Y Gross depth	1022 mm
Z Height	290 mm	Z Gross height	535 mm
Net Weight	85,0 kg	Gross Weight	101,0 kg
Net volume	0,222 m3	Gross volume	0,459 m3

ELECTRICITY TECHNICAL SPECIFICATIONS

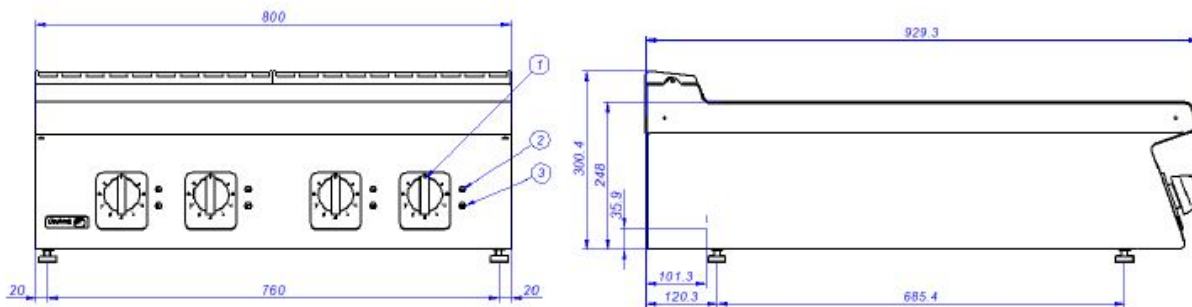
Electric power	20,000 kW
Amperage (A)	25A
Heating power	20,00 kW
Voltage	400V - 3~
Electric frequency	50/60Hz



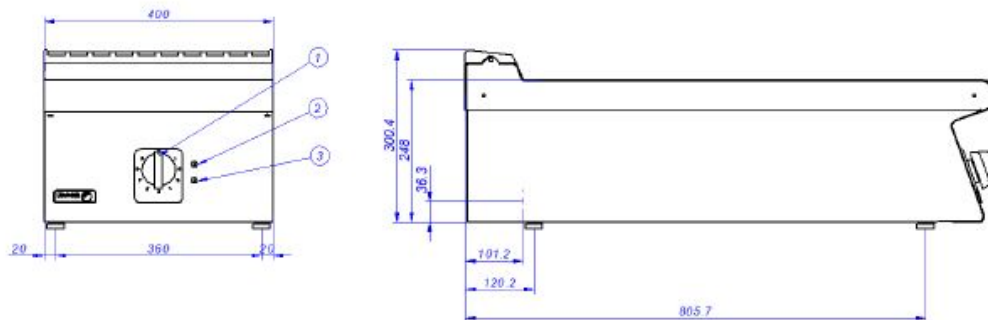
C-I925



C-I945



W-I905



E – Conexión eléctrica
1 – Mando eléctrico
2 – Piloto verde
3 – Piloto ambar

Electrical connection
Electric control
Green pilot
Ambar pilot