

Catalogue
FOOD SERVICE
Chapter
COOKING

Specific model
W-I905 400V 3~

19075893

11/11/2021

DENOMINATION:

Wok induction cooker, half module, 900 range.

DESCRIPTION :

"- 6 mm thick glass ceramic, hermetically sealed into the 2 mm thick AISI-304 stainless steel surface top.

- Laser-cut joints, automatic welding and polishes. Screws hidden from view.

- Perfect control of cooking thanks to the energy regulator with 10 power levels, which allows you to work at low power for delicate recipes or at maximum power for fast service.

- Supplies energy only to the area upon which the container rests, with the rest of the glass ceramic surface remaining cold.

- Only functions when the presence of a cooking container is detected. Heating is interrupted upon removing the container.

- As a result, a great energy saving is obtained (energy consumption is reduced by around 50 % compared to gas burners).

- The working environment and atmosphere is more comfortable, as the energy is concentrated on the base of the container to be heated, irradiation and heat dispersal are reduced and the cooking temperature is reached rapidly.

- Safety against overheating. Diagnosis of errors (flashing lights).

- High temperature enamelled cast iron flue protector.

- Access to the components from the front.

- Machines with IPX5 grade water protection.

- Ø 300 mm x 70 mm deep wok area, with 5 kW power in each area, quick heating, ideal for à la carte service.

POSSIBLE OPTIONS :

- 230 1N- Transformation A 230 V single phase

- 230 III - A 230 V three-phase transformation without neutral

- MARINE - Other machines - Ship transformation - 440 III

POSSIBLE ACCESSORIES :

- STANDS 900

- REFRIGERATED STANDS

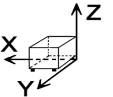
- ACCESSORIES KORE

- COOKER ACCESSORIES KORE

- KORE WHEELS

- TALL CHIMNEY KORE

DIMENSIONS



X Width	400 mm	X Gross width	440 mm
Y Depth	930 mm	Y Gross depth	1022 mm
Z Height	290 mm	Z Gross height	535 mm
Net Weight	40,0 kg	Gross Weight	55,0 kg
Net volume	0,110 m3	Gross volume	0,241 m3

ELECTRICITY TECHNICAL SPECIFICATIONS

Electric power	5,500 kW
Amperage (A)	8A
Heating power	5,00 kW
Voltage	400V - 3~
Electric frequency	50/60Hz

Catalogue
FOOD SERVICE

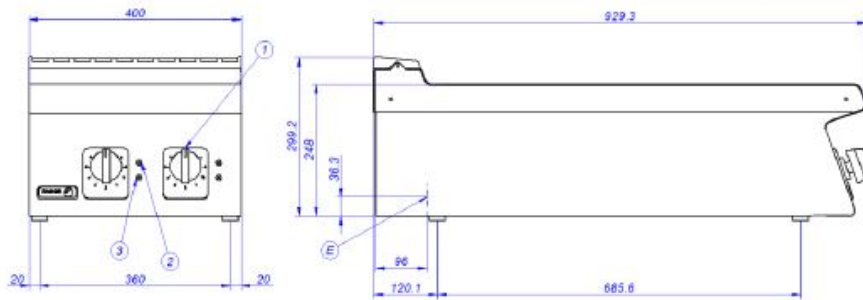
Capítulo
COOKING

Modelo
W-I905 400V 3~

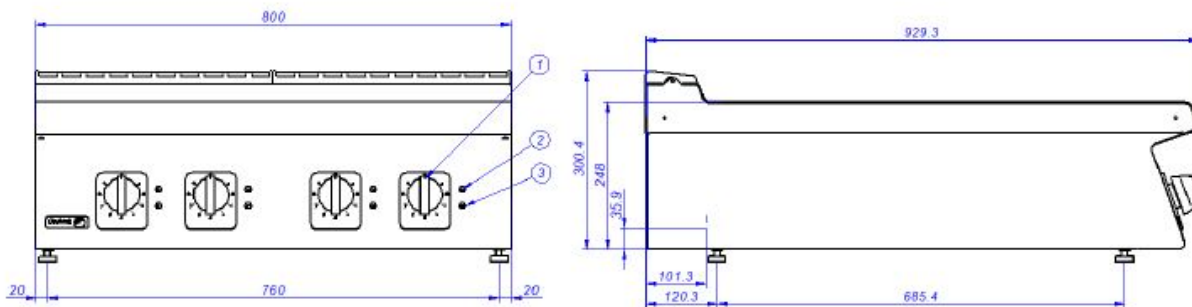
19075893

11/11/2021

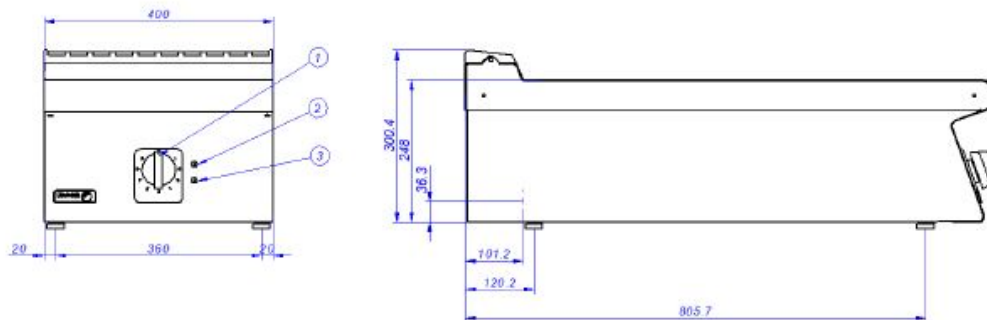
C-I925



C-I945



W-I905



E – Conexión eléctrica
1 – Mando eléctrico
2 – Piloto verde
3 – Piloto ambar

Electrical connection
Electric control
Green pilot
Ambar pilot