



Catalogue
FOOD SERVICE
Chapter
COOKING

Specific model
MRIG-200 A 50-60 Hz 220-230V 3N

19001420

16/11/2021

DENOMINATION:

Rectangular boiling pan indirectly pressure heated gas 200 L

DESCRIPTION :

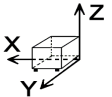
"- Rectangular boiling pan with a cylindrical well. Can be assembled on its own or with other machines. Thanks to its rigidity and functionality, it is suitable for prolonged and continuous use.

- Cooking well with an AISI-316 stainless steel bottom with a thickness of between 20/10 and 40/10, and AISI-304 stainless steel walls with thicknesses of between 20/10 and 25/10.
 - Tank drainage hole with a removable filter.
 - Front drainage tap with insulated athermic handle.
 - AISI-304 stainless steel cover with a thickness of 15/10, fitted with a chromed steel zip with preloading springs and an athermic handle.
 - Gauge for controlling pressure inside the double wall.
 - Manual air escape valve for depressurising the air produced in the double wall during the heating process.
 - Stainless steel supporting structure with a thickness of 30/10 fitted on steel feet with an adjustable height.
 - AISI-304 satin stainless steel external walls with a thickness of 10/10.
 - AISI-304 stainless steel satin shelf with a thickness of 15/10."
- "- Indirect heating equipment: pressure control in the double wall through a safety valve set to 0.5 bar, a manual depression valve and a gauge."

POSSIBLE ACCESSORIES :

- ACCESSORIES LARGE CAP.

DIMENSIONS



X Width	1000 mm	X Gross width	1030 mm
Y Depth	1150 mm	Y Gross depth	1230 mm
Z Height	850 mm	Z Gross height	1250 mm
Net Weight	210,0 kg	Gross Weight	250,0 kg
Net volume	0,978 m3	Gross volume	1,584 m3

ELECTRICITY TECHNICAL SPECIFICATIONS

Voltage	230V - 1N
Electric frequency	50Hz

GAS TECHNICAL SPECIFICATIONS

Gas type	LPG
Gas power	39,00 kW
Gas consumption	2,170 kg/h

CONNECTIONS TECHNICAL SPECIFICATIONS

Gas diameter 1	R 3/4"
----------------	--------



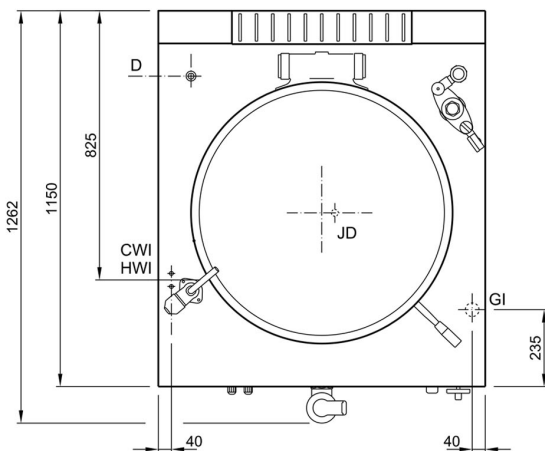
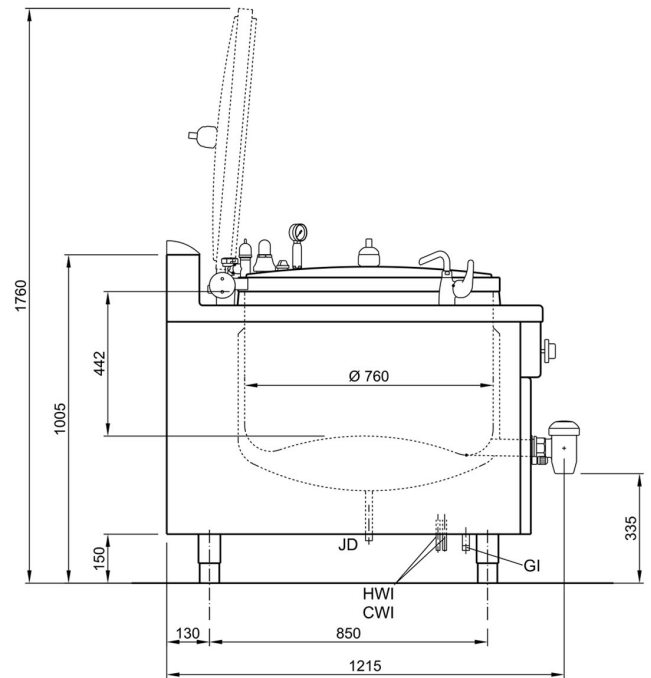
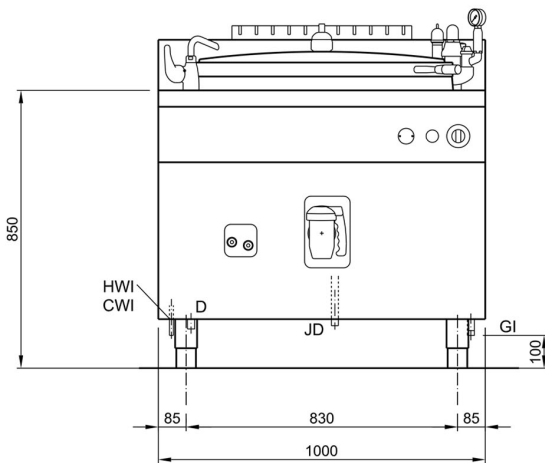
Catalogue
FOOD SERVICE

Capitolo
COOKING

Modelo
MRIG-200 A 50-60 Hz 220-230V 3N

19001420

16/11/2021



ALLACCIAMENTI - BRANCHEMENTS - CONNECTIONS

HWI -	ACQUA CALDA EAU CHAUDE HOT WATER	100 - 250 kPa (1 - 2,5 bar)	1/2" F
CWI -	ACQUA FREDDA EAU FROIDE COLD WATER	100 - 250 kPa (1 - 2,5 bar)	1/2" F
JD -	SCARICO INTERCAPEDINE VIDANGE CHEMISE JACKET DRAIN		1/2" M
GI -	ARRIVO GAS ENTREE GAZ GAS INLET	39 KW	1/2" ISO 7/1 R1