



Catalogue
FOOD SERVICE
Chapter
COOKING

Specific model
MRIG-200 50-60 Hz 220-230V 3N

19003091

16/11/2021

DENOMINATION:

Rectangular boiling pan indirectly heated with gas 200 L

DESCRIPTION :

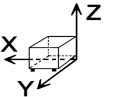
"- Rectangular boiling pan with a cylindrical well. Can be assembled on its own or with other machines. Thanks to its rigidity and functionality, it is suitable for prolonged and continuous use.

- Cooking well with an AISI-316 stainless steel bottom with a thickness of between 20/10 and 40/10, and AISI-304 stainless steel walls with thicknesses of between 20/10 and 25/10.
- Tank drainage hole with a removable filter.
- Front drainage tap with insulated athermic handle.
- AISI-304 stainless steel cover with a thickness of 15/10, fitted with a chromed steel zip with preloading springs and an athermic handle.
- Gauge for controlling pressure inside the double wall.
- Manual air escape valve for depressurising the air produced in the double wall during the heating process.
- Stainless steel supporting structure with a thickness of 30/10 fitted on steel feet with an adjustable height.
- AISI-304 satin stainless steel external walls with a thickness of 10/10.
- AISI-304 stainless steel satin shelf with a thickness of 15/10."
- "- Tap with safety valve and thermocouples (direct version)."

POSSIBLE ACCESSORIES :

- ACCESSORIES LARGE CAP.

DIMENSIONS



| | | | |
|------------|----------|----------------|----------|
| X Width | 1000 mm | X Gross width | 1030 mm |
| Y Depth | 1150 mm | Y Gross depth | 1230 mm |
| Z Height | 850 mm | Z Gross height | 1250 mm |
| Net Weight | 200,0 kg | Gross Weight | 240,0 kg |
| Net volume | 0,978 m3 | Gross volume | 1,584 m3 |

ELECTRICITY TECHNICAL SPECIFICATIONS

| | |
|--------------------|-----------|
| Voltage | 230V - 1N |
| Electric frequency | 50Hz |

GAS TECHNICAL SPECIFICATIONS

| | |
|-----------------|------------|
| Gas type | LPG |
| Gas power | 39,00 kW |
| Gas consumption | 2,170 kg/h |

CONNECTIONS TECHNICAL SPECIFICATIONS

| | |
|----------------|--------|
| Gas diameter 1 | R 3/4" |
|----------------|--------|



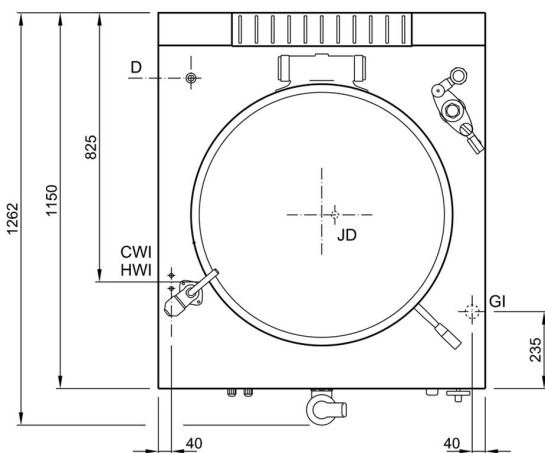
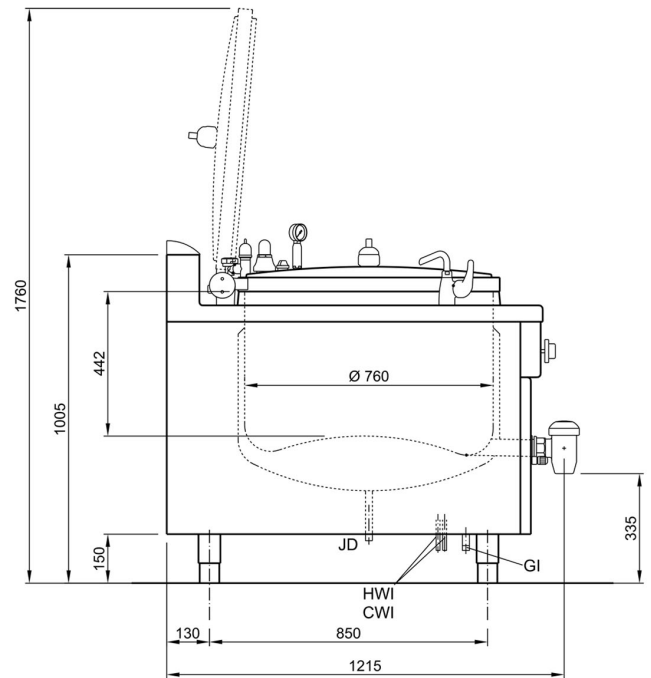
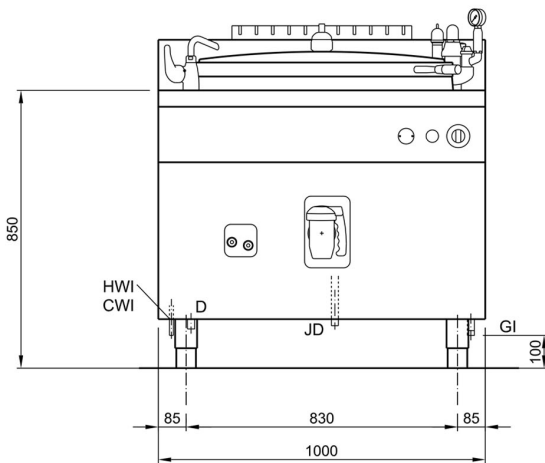
Catalogue
FOOD SERVICE

Capitolo
COOKING

Modelo
MRIG-200 50-60 Hz 220-230V 3N

19003091

16/11/2021



ALLACCIAMENTI - BRANCHEMENTS - CONNECTIONS

| | | | |
|-------|--|-----------------------------|-----------------|
| HWI - | ACQUA CALDA EAU CHAUDE HOT WATER | 100 - 250 kPa (1 - 2,5 bar) | 1/2" F |
| CWI - | ACQUA FREDDA EAU FROIDE COLD WATER | 100 - 250 kPa (1 - 2,5 bar) | 1/2" F |
| JD - | SCARICO INTERCAPEDINE VIDANGE CHEMISE JACKET DRAIN | | 1/2" M |
| GI - | ARRIVO GAS ENTREE GAZ GAS INLET | 39 KW | 1/2" ISO 7/1 R1 |