

Catalogue
FOOD SERVICE
Chapter
COOKING

Specific model
C-G911 NG

19075520

11/11/2021

DENOMINATION:

Gas solid top with oven, GN, 900 range.

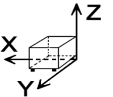
DESCRIPTION :

- "- Inbuilt surface tops manufactured in 2 mm thick AISI-304 stainless steel.
- Laser-cut joints, automatic welding and polishes. Screws hidden from view.
- 10 mm thick cast iron plate with rounded corners. 300 mm diameter surface.
- Refractory brick with cast iron shield inside to take better advantage of the heat and distribute it better.
- Temperatures for differentiated use: 500 °C at the centre and 200 °C near the edges.
- Low consumption pilot and thermocouple.
- Gas conduction in flexible stainless steel tube, making internal manipulation easier and facilitating any repair work.
- Controls set on a protective base with system against water infiltration.
- High temperature enamelled cast iron flue protector aligned with the hobs, facilitating manoeuvrability and support of the containers, increasing the useful surface area.
- Access to the components from the front."
- "- Option to choose between a GN 2/1 static oven.
- Cooking chamber made entirely from stainless steel, making it easier to clean and ensuring a better level of hygiene.
- Tray inserted sideways, making it more user-friendly.
- Guide rails at three levels which offers different usage options.
- Stainless steel tube burner (two branches in OP version), with pilot flame, thermocouple, and Piezo electric ignition.
- Oven floor made from 6 mm cast iron, which guarantees better performance and even heat distribution.
- Fibre glass closing seal that improves the thermal efficiency of the oven and guarantees durability.
- Detachable oven door which makes repairs easier."

POSSIBLE ACCESSORIES :

- STANDS 900
- REFRIGERATED STANDS
- ACCESSORIES KORE
- COOKER ACCESSORIES KORE
- KORE WHEELS
- TALL CHIMNEY KORE

DIMENSIONS



X Width	800 mm	X Gross width	840 mm
Y Depth	930 mm	Y Gross depth	1022 mm
Z Height	850 mm	Z Gross height	1255 mm
Net Weight	214,0 kg	Gross Weight	234,0 kg
Net volume	0,630 m3	Gross volume	1,077 m3

ELECTRICITY TECHNICAL SPECIFICATIONS

Voltage	N/A
Electric frequency	N/A

GAS TECHNICAL SPECIFICATIONS

Gas type	NG
Gas power	20,10 kW
Gas consumption	2,050 m3/h
Regulated	NG G20/G25/G25.1 20/25/25 mbar

CONNECTIONS TECHNICAL SPECIFICATIONS

Gas diameter 1	R3/4"
----------------	-------



Catalogue
FOOD SERVICE

Capítulo
COOKING

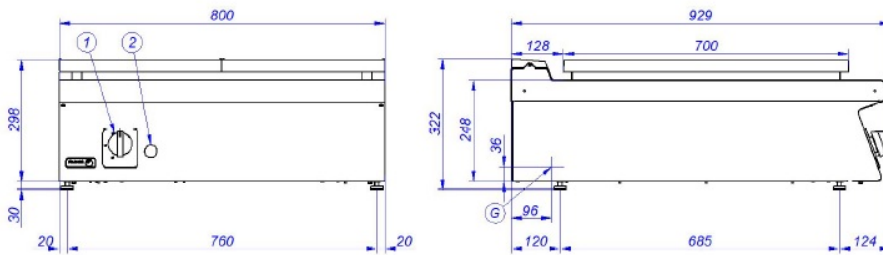
Modelo
C-G911 NG

19075520

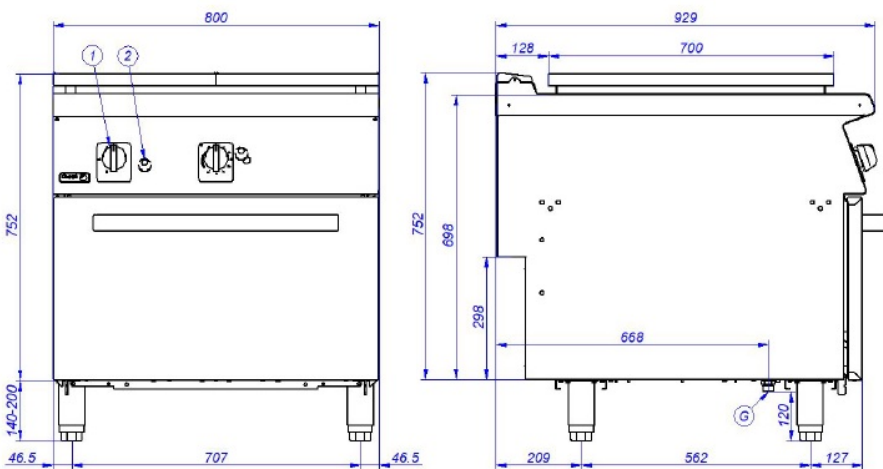
11/11/2021



C-G910



C-G911



- G. Entrada de Gas
1. Válvula de gas
2. Pulsador tren de chispas
3. Mando H

- Gas Inlet
Gas valve
Piezoelectric ignitor
H control