

functional Charcoal oven 50

pujadas®
grill

 40 - 50
diners



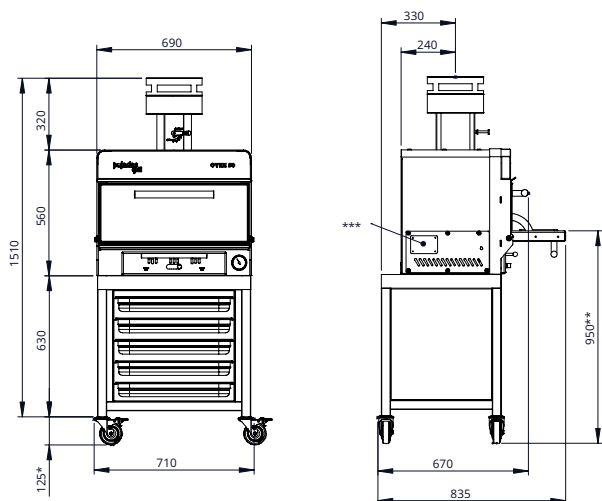
- Designed and manufactured entirely by Pujadas in high quality stainless steel.
- Perfect for indoor, open or outdoor kitchens.
- Thermally insulated body for greater efficiency and better protection from the outside.
- Upper and lower airflow regulators ensure easy temperature control.
- Double security firewalls for increased safety.
- Sunken charcoal fire bowl offers more space and easier operation.
- Adjustable grill height allows impressive versatility.

Available colors:



Each charcoal oven comes with:

- 1 Stainless steel tong
- 1 collect ashes shovel
- 1 Oven poker
- 1 Metallic brush



Ignition Time ¹	35 min aprox
Load of Marabú charcoal (Kg)	6-7
Daily Cons. of Marabú charcoal (Kg)	10
Charging autonomy ²	9 - 10 hours
Recommended cooking temperature	250°C to 350°C
Production (Kg/h)	70 kg
Equivalent power (kW)	4
Extraction capacity (m ³ /h)	4070
Maximum flow (m ³ /h)	7.5

Measurements and weight without packaging

Oven	204 Kg	67 x 71 x 163.5
------	--------	-----------------

Measurements and weight with packaging

	Kg	cm W x D x H
Oven	190	78 x 65 x 98
Table	54	120 x 80 x 88

IMPORTANT!

- Installation on a steel table is recommended.
- Installation on wooden or ceramic worktops is not recommended.

* Recommended table height to ensure the perfect use of the machine.

1. See instruction manual. 2. Depending on the use and quality of the charcoal, it may vary * Indicative values