



Catalogue
FOOD SERVICE
Chapter
COOKING

Specific model
B-G9101 I LPG 230V 1N

19075480

11/11/2021

DENOMINATION:

LPG gas grill, stainless steel grill, 1 module, 900 range.

DESCRIPTION :

- Surface tops manufactured in 2 mm thick AISI-304 stainless steel.
- Laser-cut joints, automatic welding and polishes. Screws hidden from view.
- Grills fitted with 130 mm high dismountable guard to avoid splashing, manufactured in stainless steel.
- High temperature enamelled cast iron flue protector.
- Access to the components from the front.
- Machines with IPX5 grade water protection.
- In the models with stainless steel grill, this is manufactured with sheets of AISI-304 in "V" shape to facilitate cleaning.
- The grills reach a very high temperature (400 °C), meaning that the surface of the product seals rapidly, keeping the inside of the food much juicier.
- Groups of three high-efficiency tube burners, with a radiant deflector (a group of three burners for half-sized module models, two groups for whole module models).
- Independent control for each group of burners via a safety valve with a thermocouple.
- Burners turned on using electric multispark ignition. With an access tube for manual ignition.

POSSIBLE OPTIONS :

- 230 1N- Transformation A 230 V single phase
- 230 III - A 230 V three-phase transformation without neutral
- MARINE - Other machines - Ship transformation - 440 III

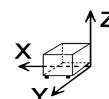
POSSIBLE ACCESSORIES :

- ACCESSORIES FOR CHARCOALS KORE
- KORE WHEELS
- TALL CHIMNEY KORE

SUPPLIED ACCESSORIES:

- 19058313 Scraper for charcoal with stainless steel grill Kore generation 1

DIMENSIONS



| | | | |
|------------|----------|----------------|----------|
| X Width | 800 mm | X Gross width | 840 mm |
| Y Depth | 930 mm | Y Gross depth | 1022 mm |
| Z Height | 850 mm | Z Gross height | 1255 mm |
| Net Weight | 70,0 kg | Gross Weight | 80,0 kg |
| Net volume | 0,630 m3 | Gross volume | 1,077 m3 |

ELECTRICITY TECHNICAL SPECIFICATIONS

| | |
|--------------------|-----------|
| Electric power | 0,100 kW |
| Amperage (A) | 2A |
| Voltage | 230V - 1N |
| Electric frequency | 50/60Hz |

GAS TECHNICAL SPECIFICATIONS

| | |
|-----------------|---|
| Gas type | LPG |
| Gas power | 22,00 kW |
| Gas consumption | 1,710 kg/h |
| Regulated | LPG G30/G31 28-30/37 mbar NG G20/G25/G25.1 20/25/25 mbar |

CONNECTIONS TECHNICAL SPECIFICATIONS

| | |
|--------------------------|---------|
| Single-phase 230V wiring | 2X1,5+T |
| Gas diameter 1 | R3/4" |



Catalogue
FOOD SERVICE

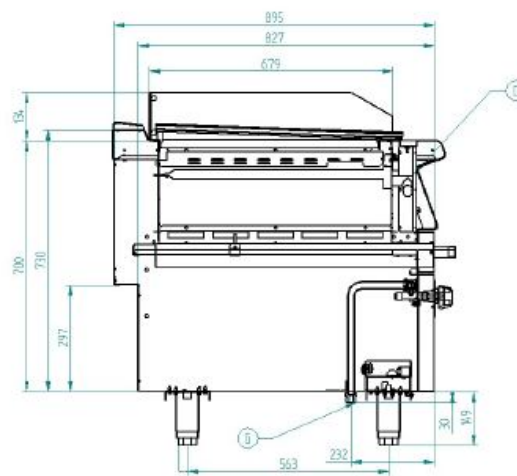
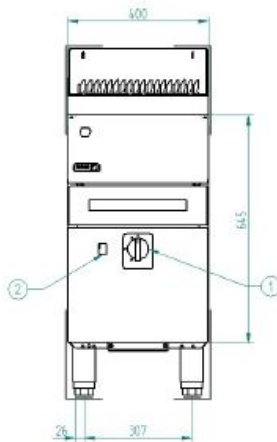
Capítulo
COOKING

Modelo
B-G9101 | LPG 230V 1N

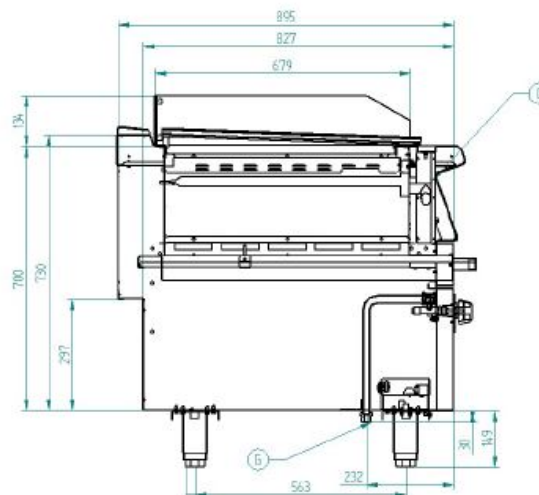
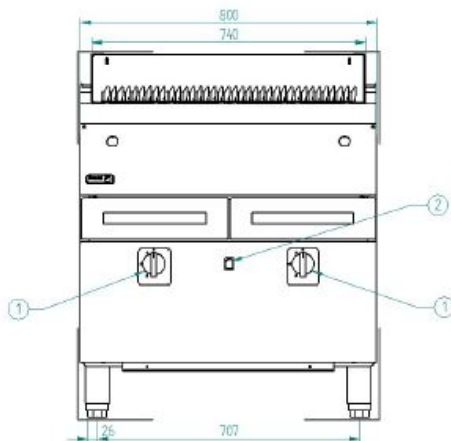
19075480

11/11/2021

B-G9051



B-G9101



G – Entrada de Gas
D – Desagüe
1 – Grifo válvula de gas
2 – Pulsador tren de chispas

Gas Inlet
Drainage
Gas valve tap
Piezoelectric ignitor