



Catalogue
FOOD SERVICE
Chapter
COOKING

Specific model
C-G731 D LPG

19073682

04/09/2023

DENOMINATION:

Gas solid top on the right with open burners with oven, LPG, 700 range.

DESCRIPTION :

"- Stamped surface tops manufactured in 1.5 mm thick AISI-304 stainless steel.

- Laser-cut joints and automatic welding. Hidden screws.
- 397 x 580 mm double grates (397 x 290 mm for each burner) enabling the use of large pots and pans.

The reduced distance of 75 mm between the central bars makes it possible to use pots with a very small diameter (8cm), avoiding the risk of smaller pans tipping over.

- The grates are made of RAAF enamelled cast iron (resistant to alkaline and acid products, fire and high temperatures).

- Double-crown burners and diffusers made of nickel-plated cast iron which guarantee

an even distribution of heat from the flame to the base of the pans, even for large pans. This therefore prevents heat from building up in a specific point and optimises energy transfer to the product.

- Burners of different strengths to adapt to containers and for use with different foods:

-5.25 kW (Ø 100 mm),

-8.0 kW (Ø 120 mm),

- Burners are easy to position.

- 10 mm-thick cast iron plate with rounded corners, 400 x 580 mm, and shield with 210 mm diameter.

- 5.25 kW burner beneath fry top.

- Low-consumption pilot light and thermocouple located within the body of the burner for greater protection.

- Flexible stainless-steel gas pipes, facilitating internal manipulation in order to make repairs easier.

- Controls with a protective support base and system to prevent water infiltration.

- High-temperature enamelled cast iron flue protector which is flush with the

grates therefore improving manoeuvrability, supporting larger containers and increasing the usable surface area."

"- Easy-to-use NG 2/1 static oven with controls located on the upper panel for improved ergonomics.

- Cooking chamber made entirely of stainless steel which makes cleaning easier and ensures greater hygiene.

- Trays are inserted sideways which improves manoeuvrability.

- Rails on three height levels to offer different cooking options.

- Rails with anti-tipping system to prevent trays from overturning.

- Thermostatic valve for temperature control (125 - 310 °C).

- Tubular stainless-steel burner with pilot light and thermocouple and piezoelectric ignition.

- Cast iron oven floor which guarantees better performance and uniform heat distribution.

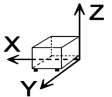
- Fibreglass closing seal to improve the thermal efficiency of the oven and ensure its durability.

- Stamped oven frame and inner door, ensuring better oven closure.

- Detachable oven door to facilitate repairs."

POSSIBLE ACCESSORIES :

DIMENSIONS



X Width	800 mm	X Gross width	840 mm
Y Depth	730 mm	Y Gross depth	822 mm
Z Height	850 mm	Z Gross height	1255 mm
Net Weight	138,0 kg	Gross Weight	156,0 kg
Net volume	0,500 m3	Gross volume	0,867 m3

ELECTRICITY TECHNICAL SPECIFICATIONS

Voltage N/A - N/A

GAS TECHNICAL SPECIFICATIONS

Gas type LPG

Gas power 25,50 kW

Gas consumption 2,123 kg/h

Regulated LPG G30/G31 28-30/37 mbar

NG G20/G25/G25.1 20/25/25 mbar

CONNECTIONS TECHNICAL SPECIFICATIONS

Gas diameter 1 R.3/4"G





Catalogue
FOOD SERVICE
Chapter
COOKING

Specific model
C-G731 D LPG

19073682

04/09/2023

- COOKER ACCESSORIES KORE
- KORE WHEELS
- TALL CHIMNEY KORE





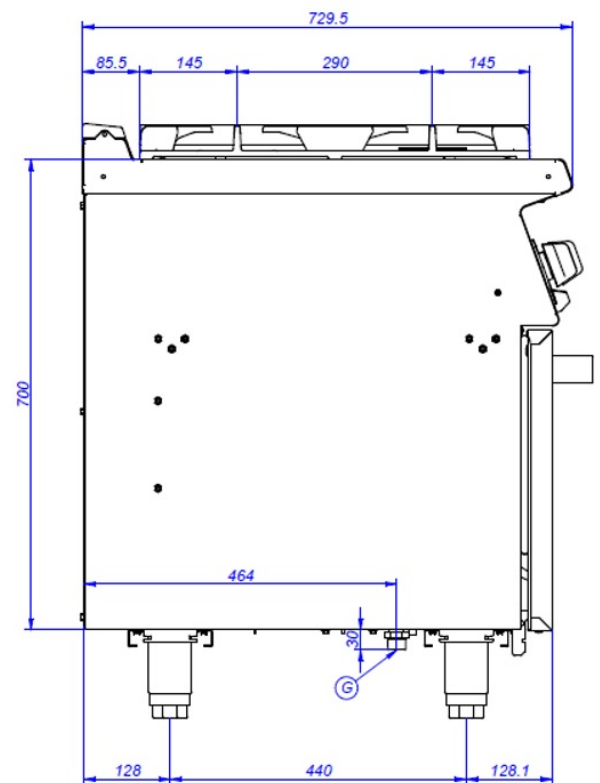
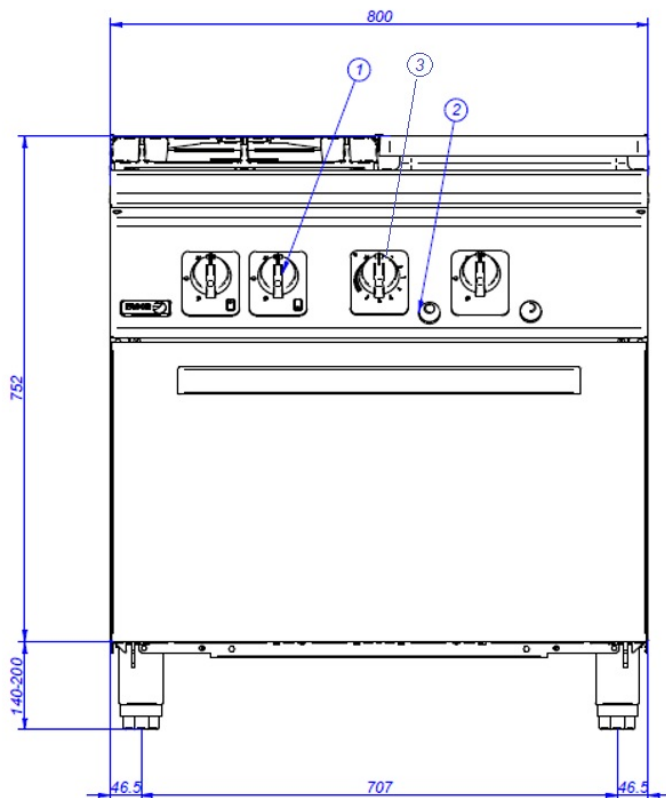
Catalogue
FOOD SERVICE
Chapter
COOKING

Specific model
C-G731 D LPG

19073682

04/09/2023

C-G731 D



- G. Entrada de Gas
- 1. Válvula de gas
- 2. Pulsador tren de chispas
- 3. Mando Horno

- Gas Inlet
- Gas valve
- Piezoelectric ignitor
- Oven control