



**Catalogue**  
**FOOD SERVICE**  
**Chapter**  
**COOKING**

**Specific model**  
**B-G7101 | LPG**

19078771

04/09/2023

**DENOMINATION:**

LPG gas grill floor model, stainless steel grill, 1 module, 700 range.

**DESCRIPTION :**

- Stamped surface tops manufactured in 1.5 mm thick AISI-304 stainless steel
- Laser-cut joints and automatic welding. Hidden screws.
- Fitted with an opening to collect cooking grease and a tray to store it.
- Machines are fitted with removable 130 mm high guards to prevent splashes, made of stainless steel.
- High temperature enamelled cast iron flue protector.
- Access to the components from the front.
- Machines with IPX5 grade water protection.
- The models with stainless steel grills are manufactured using "Z" shaped AISI-304 stainless steel slats to make cleaning easier.
- These grills reach a very high temperature (400 °C), meaning that the surface of the product is quickly sealed and inside it remains much juicier.
- Groups of three high-efficiency tube burners, with a radiant deflector (a group of three burners for half-sized module models, two groups for whole module models).
- Independent control for each group of burners via a safety valve with a thermocouple.
- Burners turned on using electric multispark ignition. With an access tube for manual ignition.
- The fat collection trays provide the option of adding water into them, and thanks to heat radiated from the gas burners or electrical elements, a low intensity steam is generated, causing the roast to be carried out in a humid environment.

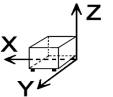
**POSSIBLE ACCESSORIES :**

- ACCESSORIES FOR CHARCOALS KORE
- KORE WHEELS
- TALL CHIMNEY KORE

**SUPPLIED ACCESSORIES:**

- 19058313 Scraper for charcoal with stainless steel grill Kore generation 1

**DIMENSIONS**



X Width	800 mm	X Gross width	840 mm
Y Depth	730 mm	Y Gross depth	822 mm
Z Height	850 mm	Z Gross height	1255 mm
Net Weight	60,0 kg	Gross Weight	70,0 kg
Net volume	0,496 m3	Gross volume	0,867 m3

**ELECTRICITY TECHNICAL SPECIFICATIONS**

Voltage N/A - N/A

**GAS TECHNICAL SPECIFICATIONS**

Gas type LPG

Gas power 16,20 kW

Gas consumption 1,276 kg/h

Regulated LPG G30/G31 28-30/37 mbar  
NG G20/G25/G25.1 20/25/25 mbar



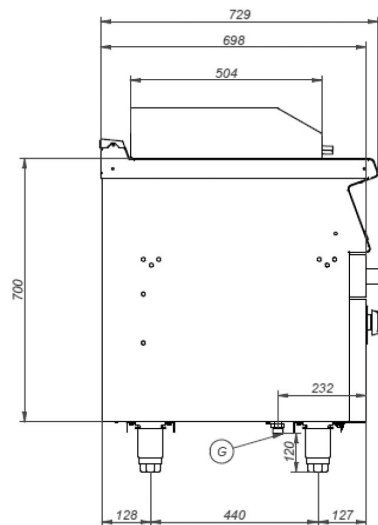
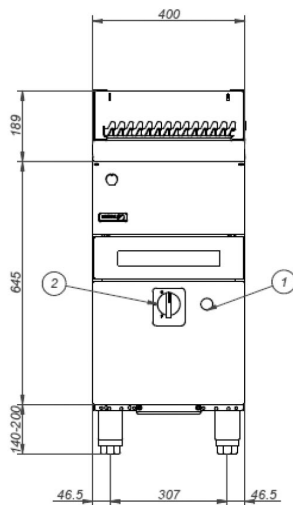
**Catalogue**  
FOOD SERVICE  
**Chapter**  
COOKING

**Specific model**  
B-G7101 | LPG

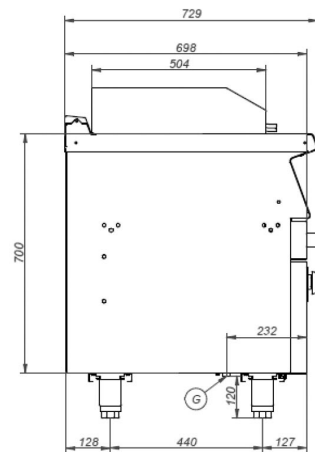
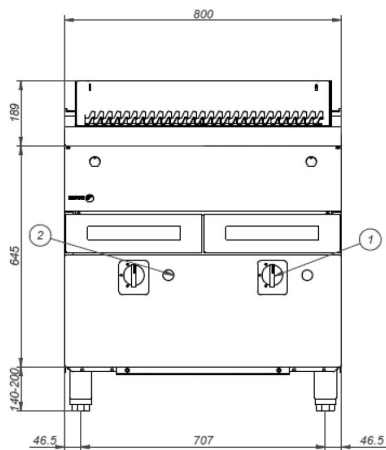
19078771

04/09/2023

**B-G7051**



**B-G7101**



G – Entrada de Gas  
D – Desagüe  
1 – Grifo válvula de gas  
2 – Pulsador de encendido

Gas Inlet  
Drainage  
Gas valve tap  
Piezoelectric ignitor