



Catalogue
FOOD SERVICE
Chapter
COOKING

Specific model
C-GE741 H LPG 400V 3N

19074823

04/09/2023

DENOMINATION:

Mixed cooker. Gas cooker LPG high power 4 burners with electric oven, 700 range.

DESCRIPTION :

- Stamped surface tops manufactured in 1.5 mm thick AISI-304 stainless steel.
- Laser-cut joints and automatic welding. Hidden screws.
- 397 x 580 mm double grates (397 x 290 mm for each burner) enabling the use of large pots and pans. The reduced distance of 75 mm between the central bars makes it possible to use pots with a very small diameter (8 cm), avoiding the risk of smaller pans tipping over.
- The grates are made of RAAF enamelled cast iron (resistant to alkaline and acid products, fire and high temperatures).
- Double-crown burners and diffusers made of nickel-plated cast iron which guarantee an even distribution of heat from the flame to the base of the pans, even for large pans. This therefore prevents heat from building up in a specific point and optimises energy transfer to the product.
- Burners of different strengths to adapt to containers and for use with different foods:
 - 5.25 kW (Ø 100 mm),
 - 8.0 kW (Ø 120 mm),
- Burners are easy to position.
- Low-consumption pilot light and thermocouple located within the body of the burner for greater protection.
- Flexible stainless-steel gas pipes, facilitating internal manipulations in order to make repairs easier.
- Controls with a protective support base and system to prevent water infiltration.
- High-temperature enamelled cast iron flue protector which is flush with the grates therefore improving manoeuvrability, supporting larger containers and increasing the usable surface area.
- Access to components from the front."

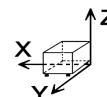
POSSIBLE OPTIONS :

- Wheels Kit (Factory Assembly)

POSSIBLE ACCESSORIES :

- COOKER ACCESSORIES KORE
- KORE WHEELS
- TALL CHIMNEY KORE

DIMENSIONS



X Width	800 mm	X Gross width	840 mm
Y Depth	730 mm	Y Gross depth	822 mm
Z Height	850 mm	Z Gross height	1255 mm
Net Weight	105,0 kg	Gross Weight	123,0 kg
Net volume	0,500 m3	Gross volume	0,867 m3

ELECTRICITY TECHNICAL SPECIFICATIONS

Electric power	6,000 kW
Amperage (A)	8,7A
Heating power	6,00 kW
Voltage	400V - 3N
Electric frequency	50/60Hz

GAS TECHNICAL SPECIFICATIONS

Gas type	LPG
Gas power	32,00 kW
Gas consumption	2,297 kg/h
Regulated	LPG G30/G31 28-30/37 mbar NG G20/G25/G25.1 20/25/25 mbar

CONNECTIONS TECHNICAL SPECIFICATIONS

230 V three-phase wiring	3X2,5+T- 16A
Single-phase 230V wiring	2X4+T- 32A
Three-phase +N 400V wiring	3X1,5+T+N - 10A
Gas diameter 1	R.3/4"G



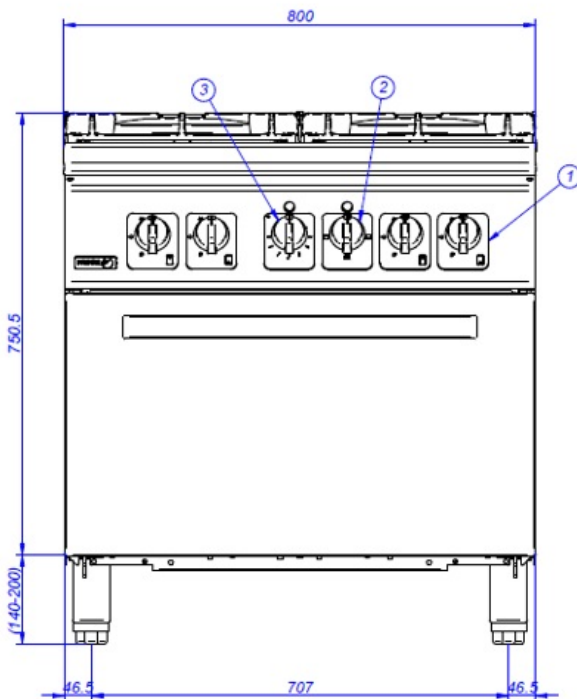
Catalogue
FOOD SERVICE
Chapter
COOKING

Specific model
C-GE741 H LPG 400V 3N

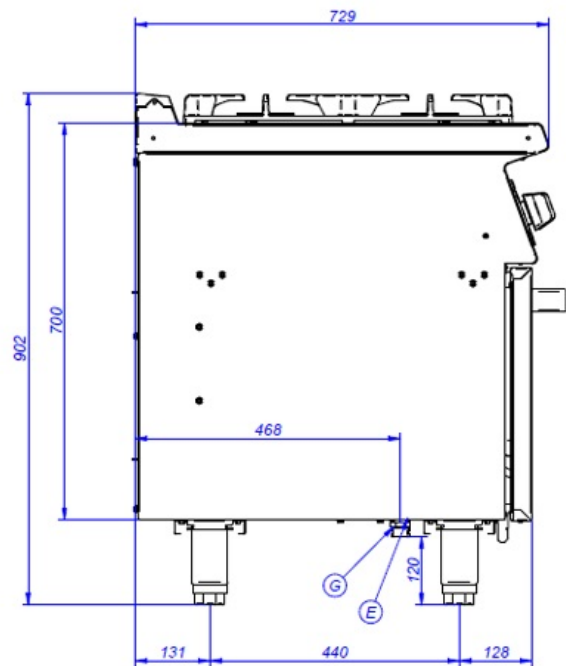
19074823

04/09/2023

C-GE741 & C-GE741 H



- G. Entrada de Gas
- E. Conexión eléctrica
- 1. Mando placas M
- 2. Mando horno 1
- 3. Mando horno 2



- Gas Inlet
- Electrical connection
- M plates control
- Oven control 1
- Oven control 2