



Catalogue
FOOD SERVICE
Chapter
OVENS

Specific model
CW-0623-E R SW 400V 3N 50/60Hz

19075070

14/05/2024

DENOMINATION:

iKORE Concept DirectSteam (injection) oven with intelligent wash for 6 GN 2/3 trays electric with right opening.

DESCRIPTION :

FUNCTIONS:

- FagorDial: 2.8" screen with rotary knob and push function for configuring and confirming inputs
- ClimaControl:
 - . Humidity management and control by means of direct measurement with a humidity sensor
 - . 10% regulation capacity- Fagor Recipe Center
- Fagor Recipe Center:
 - . 100 factory preset and culinary tested recipes
 - . Storage capacity for more than 100 9-stage recipes
- Air and water cool-down (rapid cabinet cooling function)
- Cooking modes: low temperature steam 30-98°, steam 99°, super steam 100- 130°, mixed 20-300° and convection 20-300°
- Chamber dehumidification for crispy roasts
- Delta cooking

DIRECTSTEAM:

- Steam generation by injecting water into the turbine, atomising the water and converting it into steam.

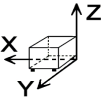
CONTROLS:

- Languages: 5
- Ability to configure screen tone, volume and contrast.
- Tone: 8
- Power, network and language settings.
- SAT and Trade fair mode

EQUIPMENT FEATURES:

- Stop/start function
- EZ-Sensor. Internal probe with 4 measuring locations
- Positioning aid for temperature sensor
- Manual steam injection
- Automatic humidification system
- Variable humidification with 5 levels
- 6 programmable air circulation speeds (from 1400 rpm to turbine stop)
- Option to switch from °C to °F
- Display of actual values and selected values
- Delayed programming
- Ability to select 1/2 power
- Automatic humidification system
- Automatic dehumidification system
- Automatic adaptation to the characteristics of the installation site (altitude, etc.) including initial self-testing
- Automatic boiling point adjustment
- Removable fan cover
- Integrated turbine brake for increased safety
- HA-Control: bidirectional turbine that provides intelligent even heat distribution
- Auto-reverse system for reversing fan rotation
- Triple-glazed, ventilated cooking chamber door (except 0623)
- Special heat-reflective coating and hinged inner panes for easy cleaning
- LED lighting in the cooking chamber
- HOLD-OPEN DOOR systems (3 locking positions for greater user safety)
- Proximity contact door switch

DIMENSIONS



| | | | |
|------------|----------|----------------|----------|
| X Width | 657 mm | X Gross width | 675 mm |
| Y Depth | 563 mm | Y Gross depth | 715 mm |
| Z Height | 570 mm | Z Gross height | 776 mm |
| Net Weight | 68,0 kg | Gross Weight | 73,0 kg |
| Net volume | 0,220 m3 | Gross volume | 0,375 m3 |

ELECTRICITY TECHNICAL SPECIFICATIONS

| | |
|--------------------|---------------|
| Engine power | 0,40 kW |
| Electric power | 5,800 kW |
| Amperage (A) | 8,9A |
| Heating power | 5,40 kW |
| Voltage | 380-415V - 3N |
| Electric frequency | 50/60Hz |

WATER TECHNICAL SPECIFICATIONS

| | |
|-----------------------|-------------------------|
| Pressure | H2O: 200-400kPa(2-4bar) |
| Water max consumption | 10,00 L/h |

CONNECTIONS TECHNICAL SPECIFICATIONS

| | |
|----------------------------|-------------------------------|
| 230 V three-phase wiring | 3X2,5MM ² +T-20A |
| Single-phase 230V wiring | 2X4MM ² +T-32A |
| Three-phase +N 400V wiring | 3X1,5MM ² +N+T-10A |
| Water inlet diameter | 3/4" |
| Drain 1 diameter | 40 |

OTHERS

| | |
|--------------|-------|
| Door opening | Right |
|--------------|-------|

TECHNICAL FEATURES

| | |
|-----------------|---|
| Number of trays | 6 |
|-----------------|---|





Catalogue
FOOD SERVICE
Chapter
OVENS

Specific model
CW-0623-E R SW 400V 3N 50/60Hz

19075070

14/05/2024

- Easily replaceable gasket insert
- Interior and outer material: AISI 304 stainless steel (interior mirror polished)

CERTIFICATION AND INSTALLATION SYMBOLS:

- EC declaration of conformity
- EC declaration of gas conformity
- CB safety
- IPX5 protection against splashes and jets of water
- Height adjustable equipment feet (all except 0623)
- Monitor App and Maintenance App (self-diagnosis of warnings and errors)
- Logging App:
 - . Cycle history
 - . Error history

WASHING SYSTEM:

- iWashing (environmentally efficient)
- Choice of iWashing Solid or iWashing Liquid smart washing systems
- Washing programmes:
 - . 1 basic cleaning programme (spray)
 - . 3 automatic cleaning programmes
 - . 1 rinsing programme
 - . 1 polishing programme
- Indication of cleaning status and remaining time

SPECIFIC OPTIONS :

- ELECTRIC POWER : 400V 3N 50/60HZ - 0623
- FUSE DEFINITION : 0623 E
- BRAND : FAGOR
- DOOR OPENING : R RIGHT
- WASHING SYSTEM : SW-IWASHING SOLID
- SHOWER : NO
- RACK : GN TRAY
- SOUS VIDE & THERMAL PROBE : NO
- CONNECTIVITY : NO
- CERTIFICATION : CE
- REG4 : NO REG4

POSSIBLE ACCESSORIES :

- CONVERSION KITS
- CLEANING ACCESSORIES
- COOKING ACCESSORIES O
- SPECIFIC FOR 0623
- EXHAUST HOOD
- STACKING SET
- SUPPORTS OVENS
- FASTENING KIT
- PASTRY GUIDES
- VARIOUS
- KIT BAFFLE
- KITS STACKING (COOK AND CHILL)



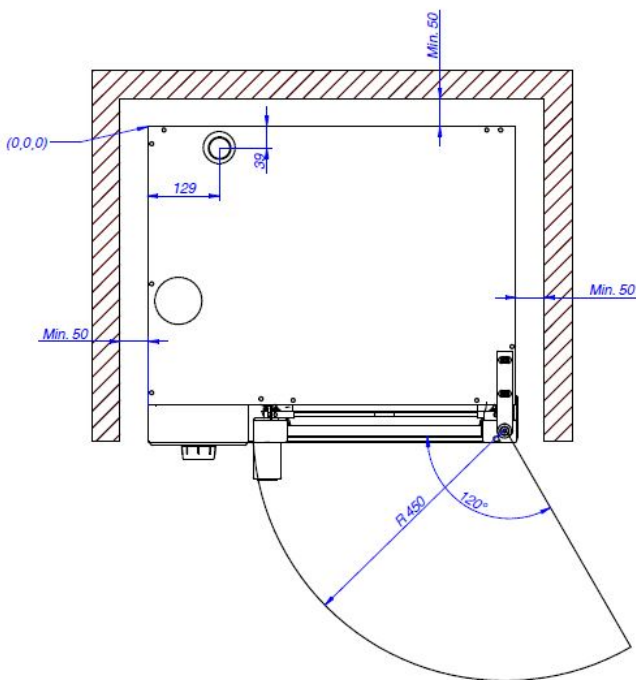
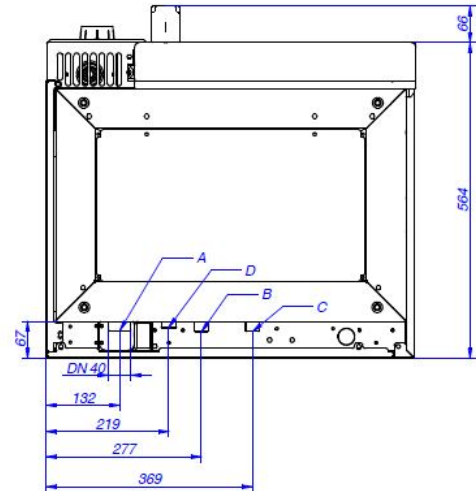
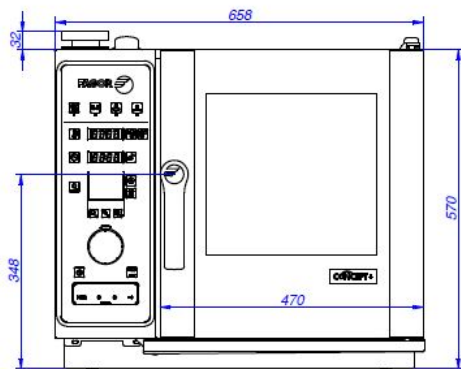


Catalogue
FOOD SERVICE
Chapter
OVENS

Specific model
CW-0623-E R SW 400V 3N 50/60Hz

19075070

14/05/2024



- A: DESAGUE DN40
- B: ENTRADA DE AGUA BLANDA
- C: ENTRADA DE AGUA DURA
- D: ALIMENTACIÓN ELÉCTRICA
- A: ÉGOUTTER DN40
- B: ENTRÉE D'EAU DOUCE
- C: ENTRÉE D'EAU DURE
- D: PUISSANCE
- A: DRAIN CONNECTION DN40
- B: SOFT WATER CONNECTION
- C: HARD WATER CONNECTION
- D: ELECTRICAL SUPPLY
- A: ABLASSEN DN40
- B: WEICHEM WASSERZULAUF
- C: HARTEM WASSERZULAUF
- D: POWER
- A: SCARICO DN40
- B: INGRESSO DELL'ACQUA DOLCE
- C: INGRESSO DELL'ACQUA DURA
- D: POTENZA