



**Catalogue**  
**FOOD SERVICE**  
**Chapter**  
**COOKING**

**Specific model**  
CCP9-2G W BS NS 230V 1N 50Hz

19105025

18/07/2024

**DENOMINATION:**

Concept gastronorm GN 1/1 900 depth refrigerated base with 2 GN 2/3 capacity drawers.

**DESCRIPTION :**

- Interior constructed with AISI-304 stainless steel exterior in food grade stainless steel.
- 50 mm thickness, CFC-free, high-density (40 kg/m<sup>3</sup>) polyurethane insulation, injected under high pressure.
- Heavy-duty stainless-steel working top with 100mm high splash-back, preventing spillage behind the counter.
- Intuitive, digital display for electronic control with energy saving function to ensure an optimal control of storing products.
- Stainless steel doors with ergonomic, full-length, robust, perfectly integrated handle that avoids dust and dirt collection.
- Removable pull-out/push-in magnetic door gasket to keep maximum hygiene and maintain the insulating properties
- Hinged doors with automatic return for a perfect closing that minimize temperature gain. Doors have a 120° dwell position and close automatically at less than 90°
- Pivotal front panel with easy access for service access and ventilation grid design allowing machine to be embedded without penalizing performance.
- Internally designed forced draft cooling system with low consumption electronic components to guarantee optimal equipment efficiency and performance
- Optimal air circulation system that guarantees a balanced and constant distribution throughout the equipment, so that the temperature remains uniform. It helps preserve food for longer.
- Height-adjustable stainless steel legs. Height of the legs can be adjusted individually (130 mm - 200 mm) to enable convenient cleaning.
- Automatic evaporation of defrost water.
- Stamped edge interiors, easier cleaning operations to reduce potential dirt traps with a built-in drainage to get rid of waste liquid inside units.
- Removable and height adjustable epoxy coated GN 2/3 grids with a maximum loading capacity of up to 40 kg.
- W model drawers with GN1/1 holding capacity.

**POSSIBLE OPTIONS :**

- Wheels Kit (Factory Assembly)
- Door frame resistance
- Remote group

**STANDARD OPTIONS :**

- Stainless Backing
- Without breastplate
- Drawers [1/3 + 2/3] unit

**DIMENSIONS**



|            |          |                |          |
|------------|----------|----------------|----------|
| X Width    | 1207 mm  | X Gross width  | 1250 mm  |
| Y Depth    | 900 mm   | Y Gross depth  | 1025 mm  |
| Z Height   | 590 mm   | Z Gross height | 750 mm   |
| Net Weight | 101,0 kg | Gross Weight   | 106,0 kg |
| Net volume | 0,679 m3 | Gross volume   | 0,961 m3 |

**ELECTRICITY TECHNICAL SPECIFICATIONS**

|                    |          |
|--------------------|----------|
| Electric power     | 0,250 kW |
| Voltage            | 230V     |
| Phases             | 1N       |
| Electric frequency | 50Hz     |
| Amperage (A)       | 1,3 A    |

**COLD TECHNICAL SPECIFICATIONS**

|                           |                 |
|---------------------------|-----------------|
| Temperature               | 0 +8 °C         |
| Climate class             | 4               |
| Refrigeration power       | 0,369 kW        |
| GWP                       | 3               |
| Cooling gas load          | 91,000 g        |
| Gross internal volume     | 169 L           |
| Noise level               | 54,00 dB        |
| Condensation system       | Vent.           |
| Model Type                | Counter Cabinet |
| Annual elec. consumption  | 730,00 kWh      |
| Power consumption 24h     | 2,00 kWh        |
| Refrigeration net.vol     | 100 L           |
| IEE                       | 36              |
| Clasif. Energy efficiency | C               |

**CONNECTIONS TECHNICAL SPECIFICATIONS**

|                          |               |
|--------------------------|---------------|
| Single-phase 230V wiring | 2X1,5+T - 2 A |
|--------------------------|---------------|



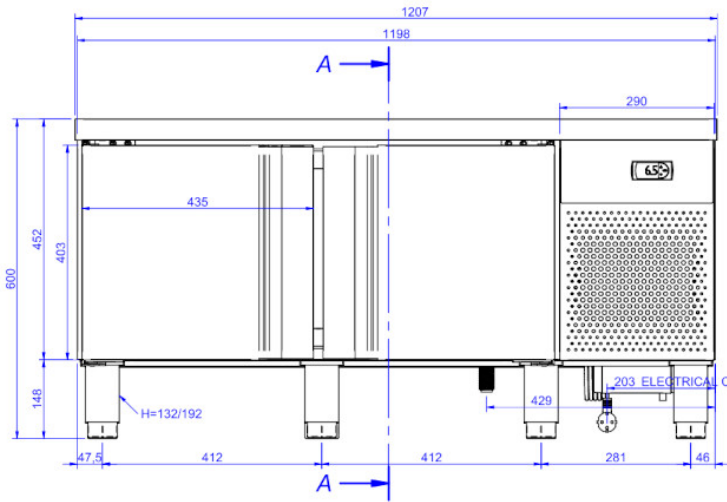


**Catalogue**  
**FOOD SERVICE**  
**Chapter**  
**COOKING**

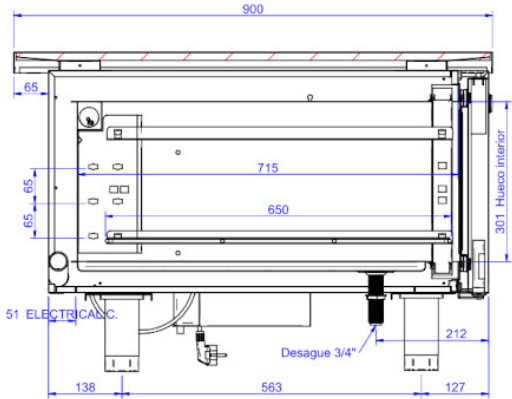
**Specific model**  
CCP9-2G W BS NS 230V 1N 50Hz

19105025

18/07/2024

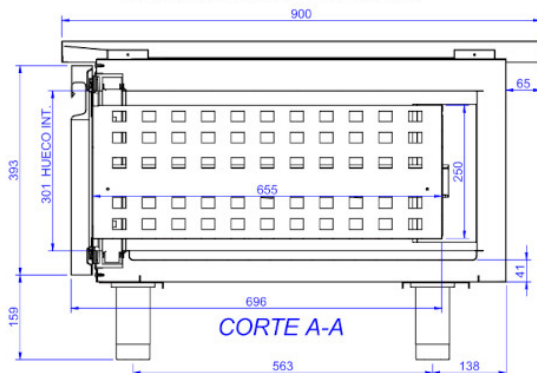


**MODELO PUERTAS**  
VENTILACION TIRO FORZADO  
EVAPORADOR CENTRAL (ENTRE PUERTAS)  
4 NIVELES PUERTA IZDA SEPAR.65mm  
3 NIVELES PUERTA DCHA SEPAR.65mm  
PARRILLAS 325x650mm



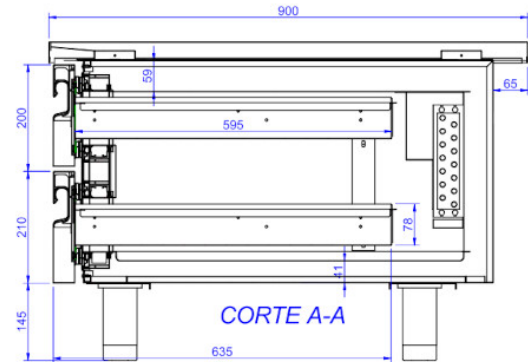
**CORTE A-A**

**MODELO CAJONES**  
VENTILACION TIRO FORZADO  
EVAPORADOR CENTRAL (ENTRE CAJONES)  
RESPALDO INOX  
2 CAJONES 2/3 PROF.655mm H=250mm



**CORTE A-A**

**MODELO CAJONES APAISADOS**  
EVAPORADOR RESPALDO  
VENTILACION TIRO FORZADO  
2 CAJONES 745x595x78mm



**CORTE A-A**