



Catalogue
FOOD SERVICE
Chapter
OVENS

Specific model
CPW-062-E R SW S 400V 3N 50/60Hz

19087480

14/05/2024

DENOMINATION:

iKORE Concept PureSteam (boiler) oven with intelligent wash for 6 GN 2/1 trays electric with right opening and shower.

DESCRIPTION :

FUNCTIONS:

- FagorDial: 2.8" screen with rotary knob and push function for configuring and confirming inputs
- ClimaControl:
 - . Humidity management and control by means of direct measurement with a humidity sensor
 - . 10% regulation capacity- Fagor Recipe Center
- Fagor Recipe Center:
 - . 100 factory preset and culinary tested recipes
 - . Storage capacity for more than 100 9-stage recipes
- Air and water cool-down (rapid cabinet cooling function)
- Cooking modes: low temperature steam 30-98°, steam 99°, super steam 100- 130°, mixed 20-300° and convection 20-300°
- Chamber dehumidification for crispy roasts
- Delta cooking

PURESTEAM:

- Higher steam saturation in the chamber than an injection oven
 - Pure steam generator with automatic filling function
 - Impurities in the water are deposited in the boiler, facilitating the maintenance of the oven and an impurity-free cooking chamber.
 - Steam generator equipped with limescale detector.
- Automatic and adjustable emptying of the generator every 24 hours of cooking.

- Limescale detection system
- Semi-automatic descaling system
- Guided descaling programme

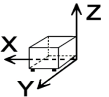
CONTROLS:

- Languages: 5
- Ability to configure screen tone, volume and contrast.
- Tone: 8
- Power, network and language settings.
- SAT and Trade fair mode

EQUIPMENT FEATURES:

- Stop/start function
- EZ-Sensor. Internal probe with 4 measuring locations
- Positioning aid for temperature sensor
- Manual steam injection
- Automatic humidification system
- Variable humidification with 5 levels
- 6 programmable air circulation speeds (from 1400 rpm to turbine stop)
- Option to switch from °C to °F
- Display of actual values and selected values
- Delayed programming
- Ability to select 1/2 power
- Automatic humidification system
- Automatic dehumidification system
- Automatic adaptation to the characteristics of the installation site (altitude, etc.) including initial self-testing
- Automatic boiling point adjustment
- Removable fan cover
- Integrated turbine brake for increased safety
- HA-Control: bidirectional turbine that provides intelligent even heat

DIMENSIONS



X Width	1130 mm	X Gross width	1215 mm
Y Depth	1063 mm	Y Gross depth	1200 mm
Z Height	846 mm	Z Gross height	1068 mm
Net Weight	200,0 kg	Gross Weight	230,0 kg
Net volume	0,220 m3	Gross volume	1,557 m3

ELECTRICITY TECHNICAL SPECIFICATIONS

Engine power	0,60 kW
Electric power	22,200 kW
Amperage (A)	32,9A / 57,2A / 99,1A / 32,9A
Heating power	21,60 kW
Voltage	380-415V/220-240V/220-240V/440
Electric frequency	50/60Hz

WATER TECHNICAL SPECIFICATIONS

Pressure	H2O: 200-400kPa(2-4bar)
Water max consumption	10,00 L/h

CONNECTIONS TECHNICAL SPECIFICATIONS

230 V three-phase wiring	3X16MM2+T- 63A
Single-phase 230V wiring	2X35MM2+T-125A
Three-phase +N 400V wiring	3X6MM2 +N+T-40A
Water inlet diameter	3/4"
Drain 1 diameter	40

OTHERS

Door opening	Right
--------------	-------

TECHNICAL FEATURES

Number of trays	6
-----------------	---





Catalogue
FOOD SERVICE
Chapter
OVENS

Specific model
CPW-062-E R SW S 400V 3N 50/60Hz

19087480

14/05/2024

distribution

- Auto-reverse system for reversing fan rotation
- Triple-glazed, ventilated cooking chamber door (all except 0623)
- Special heat-reflective coating and hinged inner panes for easy cleaning
- LED lighting in the cooking chamber
- HOLD-OPEN DOOR systems (3 locking positions for greater user safety)
- Proximity contact door switch
- Easily replaceable gasket insert
- Interior and outer material: AISI 304 stainless steel (interior mirror polished)

CERTIFICATION AND INSTALLATION SYMBOLS:

- EC declaration of conformity
- EC declaration of gas conformity
- CB safety
- IPX5 protection against splashes and jets of water
- Height adjustable equipment feet (all except 0623)
- Monitor App and maintenance App (self-diagnosis of warnings and errors)
- Logging App:
 - . Cycle history
 - . Error history

WASHING SYSTEM:

- iWashing (environmentally efficient)
- Choice of iWashing Solid or iWashing Liquid smart washing systems
- Washing programmes:
 - . 1 basic cleaning programme (spray)
 - . 3 automatic cleaning programmes
 - . 1 rinsing programme
 - . 1 polishing programme
- Indication of cleaning status and remaining time

SPECIFIC OPTIONS :

- ELECTRIC POWER : 400V 3N 50/60HZ - 062
- FUSE DEFINITION : 062 E
- BRAND : FAGOR
- DOOR OPENING : R RIGHT
- WASHING SYSTEM : SW-IWASHING SOLID
- SHOWER : S-RETRACTIL SHOWER
- RACK : GN TRAY
- SOUS VIDE & THERMAL PROBE : NO
- CONNECTIVITY : NO
- CERTIFICATION : CE
- REG4 : NO REG4

POSSIBLE ACCESSORIES :

- STACKING SET
- SUPPORTS OVENS
- STRUCTURES AND TROLLEYS
- FASTENING KIT
- PASTRY GUIDES
- VARIOUS
- KIT BAFFLE
- CONVERSION KITS
- CLEANING ACCESSORIES
- COOKING ACCESSORIES O



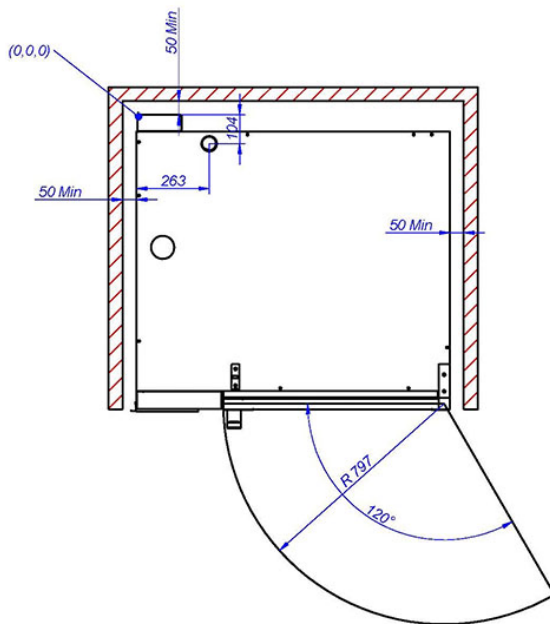
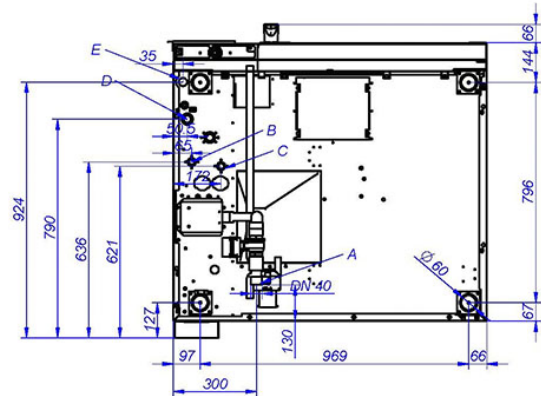
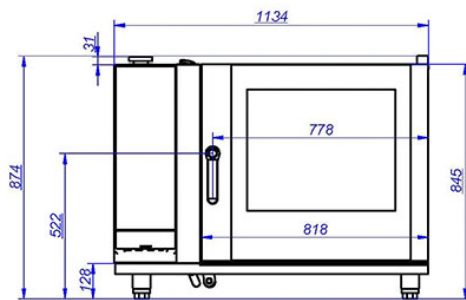


Catalogue
FOOD SERVICE
Chapter
OVENS

Specific model
CPW-062-E R SW S 400V 3N 50/60Hz

19087480

14/05/2024



- A: DRAIN CONNECTION DN40
- B: SOFT WATER CONNECTION
- C: COLD WATER CONNECTION
- D: ELECTRICAL SUPPLY
- E: ETHERNET