



Catalogue
FOOD SERVICE
Chapter
COOKING

Specific model
FT-E710 L 400V 3N 50/60Hz

19101247

23/10/2024

DENOMINATION:

Electric frytop with thermostatic temperature control, smooth hot-plate, 1 module, 700 range.

DESCRIPTION :

- Stamped surface tops manufactured in 1.5 mm thick AISI-304 stainless steel.
- Laser-cut joints, automatic welding and polishing. Hidden screws.
- Rapid reaction and recovery times of the fry-top temperature.
- The fry tops are welded to the stamped surface top.
- The stamped shell and its rounded edges and corners make cleaning much easier.
- The fry top is tilted towards the front to make it easier to collect grease and liquids.
- Fitted with an opening to collect cooking grease and a tray to store it which has capacity to store up to 2 litres depending on the model.
- Optional anti-splash side and rear guards, easy to remove.
- High-temperature enamelled cast iron flue protector.
- Access to components from the front.
- Machines with IPX5 grade water protection.
- "
- Model with smooth hot plates.
- 12 mm thick mild steel fry tops which are quick-heating and high power.
- Electrically heated models with stainless steel heating elements; thermostatic temperature control, between 100 and 300 °C.
- Whole-module fry tops have two separate heating areas.

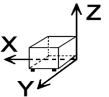
POSSIBLE OPTIONS :

- 230 1N- Transformation A 230 V single phase
- 230 III - A 230 V three-phase transformation without neutral
- MARINE - Other machines - Ship transformation - 440 III

POSSIBLE ACCESSORIES :

- FRY-TOP ACCESSORIES KORE
- TALL CHIMNEY KORE
- ACCESSORIES KORE
- STANDS 700

DIMENSIONS



X Width	800 mm	X Gross width	840 mm
Y Depth	730 mm	Y Gross depth	822 mm
Z Height	290 mm	Z Gross height	535 mm
Net Weight	137,0 kg	Gross Weight	155,0 kg
Net volume	0,170 m3	Gross volume	0,369 m3

ELECTRICITY TECHNICAL SPECIFICATIONS

Electric power	10,000 kW
Voltage	400V
Phases	3N
Electric frequency	50/60Hz
Amperage (A)	14,5A
Heating power	10,00 kW

CONNECTIONS TECHNICAL SPECIFICATIONS

230 V three-phase wiring	3X6MM2+T
Single-phase 230V wiring	2X10MM2+T
Three-phase +N 400V wiring	3X2,5MM2+T+N

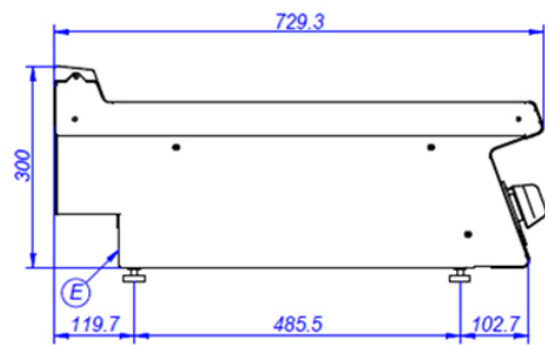
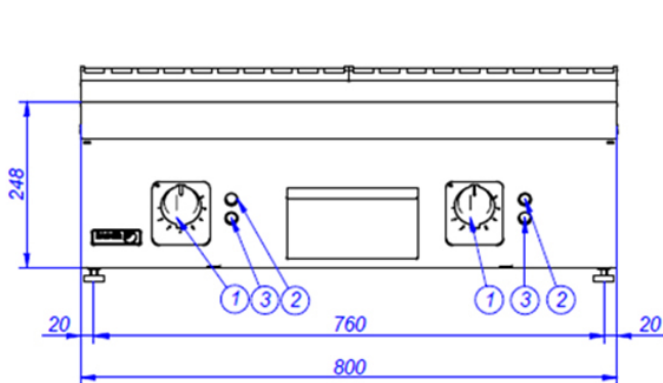


Catalogue
FOOD SERVICE
Chapter
COOKING

Specific model
FT-E710 L 400V 3N 50/60Hz

19101247

23/10/2024



- | | | |
|----|--------------------|-----------------------|
| E. | Conexión eléctrica | Electrical connection |
| 1. | Mando termostato | Thermostat control |
| 2. | Piloto verde | Green pilot |
| 3. | Piloto ambar | Ambar pilot |