



**Catalogue**  
**FOOD SERVICE**  
**Chapter**  
**OVENS**

**Specific model**  
APW-061-E R SW S K 400V 3N 50/60Hz

19078616

14/05/2024

**DENOMINATION:**

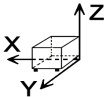
iKORE Advance PureSteam oven with smart wash for 6 GN 1/1 electric trays with right opening, shower and connectivity.

**DESCRIPTION :**

**FUNCTIONS:**

- FagorTouch: 10.1" glass state of the art touch screen for easy and intuitive operation
  - iCooking: Smart cooking process with automatic adjustment:
    - . Options at the end of the cooking process: maintain temperature, repeat cooking process, etc.
    - . Ability to modify smart cooking processes in progress and adjust parameters at any time
  - iFunctions: Intelligent cooking processes with automatic adjustment (regeneration, sous vide, overnight cooking, fermentation, pasteurisation, smoking, charcuterie and dehydration). Smart cooking processes with automatic adjustment
  - iClima:
    - . Humidity management and control by means of direct measurement with a humidity sensor
    - . 1% regulation capacity
  - Fagor Cooking Center:
    - . 200 factory preset and culinary tested recipes
    - . Ability to manage your favourite recipes
    - . Unlimited 9-stage recipe storage capacity
  - Air and water cool-down (rapid cabinet cooling function)
  - Multitray
  - Cooking modes: low temperature steam 30-98°, steam 99°, super steam 100- 130°, mixed 20-300° and convection 20-300°
  - Chamber dehumidification for crispy roasts
  - DeltaT cooking for delicate cooking
- PURESTEAM:**
- Higher steam saturation in the chamber than an injection oven
  - Pure steam generator with automatic filling function
  - Impurities in the water are deposited in the boiler, facilitating the maintenance of the oven and an impurity-free cooking chamber.
  - Steam generator equipped with limescale detector.
- Automatic and adjustable emptying of the generator every 24 hours of cooking.
- Limescale detection system
  - Semi-automatic descaling system
  - Guided descaling programme
- CONTROLS:**
- EasyCooking: option to configure the programmes by password
  - Languages: 36
  - Ability to configure screen tone, volume and contrast
  - Tones: 8
  - Power, network and language settings
  - Integrated help functions and instruction manual
  - Control and monitoring of the equipment from mobile devices via FagorKonnnect
  - SAT and Trade fair mode
- EQUIPMENT FEATURES:**
- Stop/start function
  - EZ-Sensor: Internal probe with 4 measuring locations
  - Positioning aid for temperature sensor
  - Manual steam injection

**DIMENSIONS**



X Width	898 mm	X Gross width	980 mm
Y Depth	817 mm	Y Gross depth	953 mm
Z Height	846 mm	Z Gross height	1070 mm
Net Weight	126,0 kg	Gross Weight	159,0 kg
Net volume	0,630 m3	Gross volume	0,999 m3

**ELECTRICITY TECHNICAL SPECIFICATIONS**

Engine power	0,60 kW
Electric power	11,100 kW
Amperage (A)	16,9A
Heating power	10,50 kW
Voltage	380-415V - 3N
Electric frequency	50/60Hz

**WATER TECHNICAL SPECIFICATIONS**

Pressure	H2O: 200-400kPa(2-4bar)
Water max consumption	10,00 L/h

**CONNECTIONS TECHNICAL SPECIFICATIONS**

230 V three-phase wiring	3X6MM <sup>2</sup> +T-32A
Single-phase 230V wiring	2X10MM <sup>2</sup> +T-50A
Three-phase +N 400V wiring	3X2,5MM <sup>2</sup> +N+T-20A
Water inlet diameter	3/4"
Drain 1 diameter	40

**OTHERS**

Door opening	Right
--------------	-------

**TECHNICAL FEATURES**

Number of trays	6
-----------------	---





**Catalogue**  
FOOD SERVICE  
**Chapter**  
OVENS

**Specific model**

APW-061-E R SW S K 400V 3N 50/60Hz

19078616

14/05/2024

- Automatic dehumidification system
- Variable humidification with 5 levels
- 6 programmable air circulation speeds (from 1400 rpm to turbine stop)
- Option to switch from °C to °F
- Energy consumption display
- Display of actual values and selected values
- Delayed programming
- JIT (just in time) programming
- Ability to select 1/2 power
- Automatic adaptation to the characteristics of the installation site (altitude, etc.) including initial self-testing
- Automatic boiling point adjustment
- Removable fan cover
- Integrated turbine brake for increased safety
- HA-Control: bidirectional turbine that provides intelligent even heat distribution
- Auto-reverse system for reversing fan rotation
- Triple-glazed, ventilated cooking chamber door (all except 0623 and Kompact)
- Special heat-reflective coating and hinged inner panes for easy cleaning
- LED lighting in the cooking chamber
- HOLD-OPEN DOOR systems (3 door locking positions for user safety)
- Proximity contact door switch
- Easily replaceable gasket insert
- Interior and outer material: AISI 304 stainless steel (interior mirror polished)

**CERTIFICATION AND INSTALLATION SYMBOLS:**

- EC declaration of conformity
- EC declaration of gas conformity
- CB safety
- IPX5 protection against splashes and jets of water
- Height adjustable equipment feet (all except 0623 and Kompact)
- Monitor App and maintenance App (self-diagnosis of warnings and errors)
- Logging App:
  - . Cycle history
  - . Error history

**FAGORKONNECT:**

- Wi-Fi and ETHERNET connection as standard
- Functions when the oven is connected or not to the internet.

**WASHING SYSTEM:**

- iWashing (environmentally and economically efficient)
- Choice of iWashing Solid or iWashing Liquid smart washing systems
- Washing programmes:
  - . 1 basic cleaning programme (spray)
  - . 3 automatic cleaning programmes
  - . 1 rinsing programme
  - . 1 polishing programme
- Option to activate dirt softening during the cleaning process
- Option to activate drying in the cleaning process
- Indication of cleaning status and remaining time
- Control and monitoring of the cleaning process from mobile devices via FagorKonnnect

**SPECIFIC OPTIONS :**

- ELECTRIC POWER : 400V 3N 50/60HZ - 061
- FUSE DEFINITION : 061 F





**Catalogue**  
FOOD SERVICE  
**Chapter**  
OVENS

**Specific model**

APW-061-E R SW S K 400V 3N 50/60Hz

19078616

14/05/2024

- BRAND : FAGOR
- DOOR OPENING : R RIGHT
- WASHING SYSTEM : SW-IWASHING SOLID
- SHOWER : S-RETRACTIL SHOWER
- RACK : GN TRAY
- SOUS VIDE & THERMAL PROBE : NO
- CONNECTIVITY : K-WITH IOT CONNECTIVITY
- CERTIFICATION : CE
- REG4 : NO REG4

**POSSIBLE ACCESSORIES :**

- CONVERSION KITS
- CLEANING ACCESSORIES
- COOKING ACCESSORIES O
- EXHAUST HOOD
- STACKING SET
- SUPPORTS OVENS
- STRUCTURES AND TROLLEYS
- FASTENING KIT
- THERMICAL COVER
- PASTRY GUIDES
- VARIOUS
- KIT BAFFLE
- KITS STACKING (COOK AND CHILL)

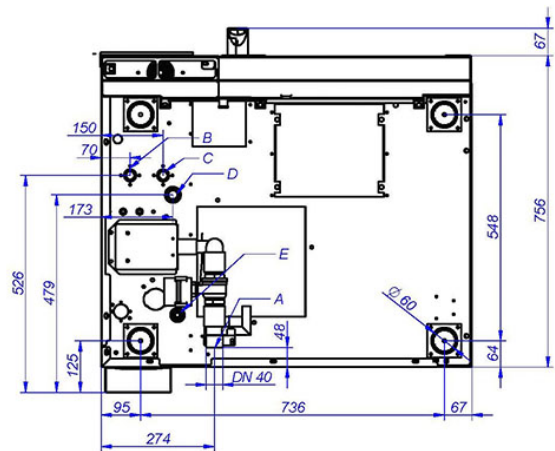
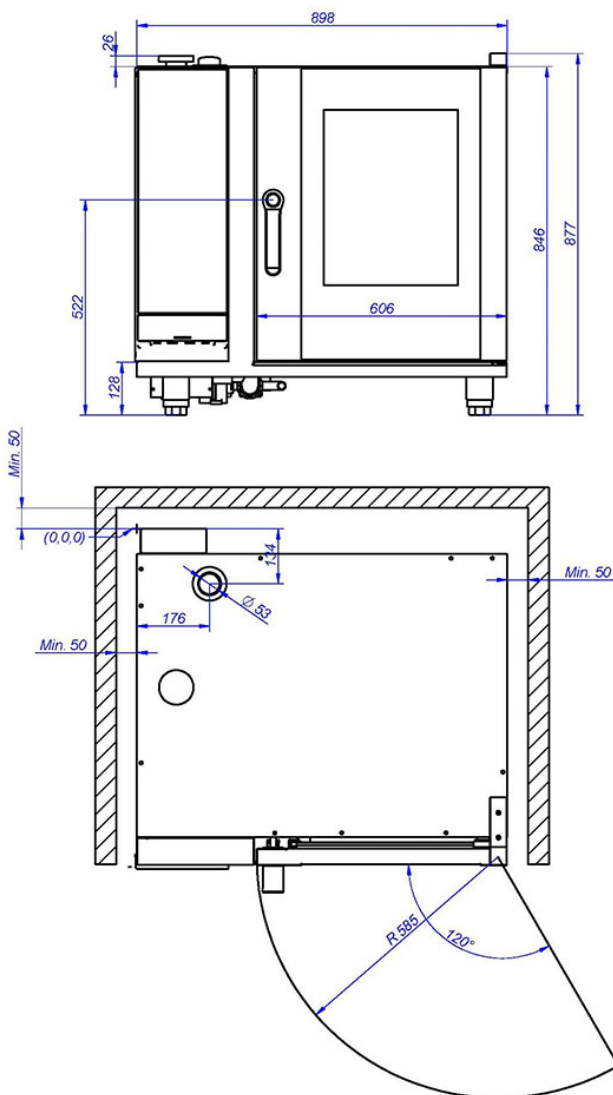


**Catalogue**  
FOOD SERVICE  
**Chapter**  
OVENS

**Specific model**  
APW-061-E R SW S K 400V 3N 50/60Hz

19078616

14/05/2024



- A: DRAIN CONNECTION DN40
- B: SOFT WATER CONNECTION
- C: SOFT WATER CONNECTION
- D: ELECTRICAL SUPPLY
- E: ETHERNET