



Catalogue
FOOD SERVICE
Chapter
OVENS

Specific model
AW-0623-E R SW S K 400V 3N 50/60Hz

19106933

14/05/2024

DENOMINATION:

iKORE Advance DirectSteam (injection) oven with intelligent washing for 6 x 2/3 trays electric with right opening, shower and connectivity.

DESCRIPTION :

FUNCTIONS:

- FagorTouch: 10.1" glass state of the art touch screen for easy and intuitive operation
- iCooking: Smart cooking process with automatic adjustment:
 - . Options at the end of the cooking process: maintain temperature, repeat cooking process, etc.
 - . Ability to modify smart cooking processes in progress and adjust parameters at any time
- iFunctions: Intelligent cooking processes with automatic adjustment (regeneration, sous vide, overnight cooking, fermentation, pasteurisation, smoking, charcuterie and dehydration). Smart cooking processes with automatic adjustment
- iClima:
 - . Humidity management and control by means of direct measurement with a humidity sensor
 - . 1% regulation capacity
- Fagor Cooking Center:
 - . 200 factory preset and culinary tested recipes
 - . Ability to manage your favourite recipes
 - . Unlimited 9-stage recipe storage capacity
- Air and water cool-down (rapid cabinet cooling function)
- Multitray
- Cooking modes: low temperature steam 30-98°, steam 99°, super steam 100- 130°, mixed 20-300° and convection 20-300°
- Chamber dehumidification for crispy roasting
- DeltaT cooking for delicate cooking
- DIRECTSTEAM:**
 - Steam generation by injecting water into the turbine, atomising the water and converting it into steam.
- CONTROLS:**
 - EasyCooking: option to configure the programmes by password
 - Languages: 36
 - Ability to configure screen tone, volume and contrast
 - Melodies: 8
 - Power, network and language settings
 - Integrated help functions and instruction manual
 - Control and monitoring of the equipment from mobile devices via FagorKonnnect
 - SAT and Trade fair mode
- EQUIPMENT FEATURES:**
 - Stop/start function
 - EZ-Sensor. Internal probe with 4 measuring locations
 - Positioning aid for temperature sensor
 - Manual steam injection
 - Automatic dehumidification system
 - Variable humidification with 5 levels
 - 6 programmable air circulation speeds (from 1400 rpm to turbine stop)
 - Option to switch from °C to °F
 - Energy consumption display
 - Display of actual values and selected values
 - Delayed programming
 - IIT (just in time) programming

DIMENSIONS



| | | | |
|------------|----------|----------------|----------|
| X Width | 657 mm | X Gross width | 675 mm |
| Y Depth | 563 mm | Y Gross depth | 715 mm |
| Z Height | 570 mm | Z Gross height | 776 mm |
| Net Weight | 68,0 kg | Gross Weight | 73,0 kg |
| Net volume | 0,220 m3 | Gross volume | 0,375 m3 |

ELECTRICITY TECHNICAL SPECIFICATIONS

| | |
|--------------------|---------------|
| Engine power | 0,40 kW |
| Electric power | 5,800 kW |
| Amperage (A) | 8,9A |
| Heating power | 5,40 kW |
| Voltage | 380-415V - 3N |
| Electric frequency | 50/60Hz |

WATER TECHNICAL SPECIFICATIONS

| | |
|-----------------------|-------------------------|
| Pressure | H2O: 200-400kPa(2-4bar) |
| Water max consumption | 10,00 L/h |

CONNECTIONS TECHNICAL SPECIFICATIONS

| | |
|----------------------------|-------------------------------|
| 230 V three-phase wiring | 3X2,5MM ² +T-20A |
| Single-phase 230V wiring | 2X4MM ² +T-32A |
| Three-phase +N 400V wiring | 3X1,5MM ² +N+T-10A |
| Water inlet diameter | 3/4" |
| Drain 1 diameter | 40 |

OTHERS

| | |
|--------------|-------|
| Door opening | Right |
|--------------|-------|

TECHNICAL FEATURES

| | |
|-----------------|---|
| Number of trays | 6 |
|-----------------|---|





Catalogue
FOOD SERVICE
Chapter
OVENS

Specific model
AW-0623-E R SW S K 400V 3N 50/60Hz

19106933

14/05/2024

- Ability to select 1/2 power
- Automatic adaptation to the characteristics of the installation site (altitude, etc.) including initial self-testing
- Automatic boiling point adjustment
- Removable fan cover
- Integrated turbine brake for increased safety
- HA-Control: bidirectional turbine that provides intelligent even heat distribution
- Auto-reverse system for reversing fan rotation
- Triple-glazed, ventilated cooking chamber door (all except 0623 and Kompact)
- Special heat-reflective coating and hinged inner panes for easy cleaning
- LED lighting in the cooking chamber
- HOLD-OPEN DOOR systems (3 door locking positions for user safety)
- Proximity contact door switch
- Easily replaceable gasket insert
- Interior and outer material: AISI 304 stainless steel (interior mirror polished)

CERTIFICATION AND INSTALLATION SYMBOLS:

- EC declaration of conformity
- EC declaration of gas conformity
- CB safety
- IPX5 protection against splashes and jets of water
- Height adjustable equipment feet (all except 0623 and Kompact)
- Monitor App and maintenance App (self-diagnosis of warnings and errors)

- Logging App:

- . Cycle history
- . Error history

FAGORKONNECT:

- Wi-Fi and ETHERNET connection as standard
- Functions when the oven is or not connected to the internet.

WASHING SYSTEM:

- iWashing (environmentally and economically efficient)
- Choice of iWashing Solid or iWashing Liquid smart washing systems
- Washing programmes:
 - . 1 basic cleaning programme (spray)
 - . 3 automatic cleaning programmes
 - . 1 rinsing programme
 - . 1 polishing programme
- Option to activate dirt softening during the cleaning process
- Option to activate drying in the cleaning process
- Indication of cleaning status and remaining time
- Control and monitoring of the cleaning process from mobile devices via FagorKconnect

SPECIFIC OPTIONS :

- ELECTRIC POWER : 400V 3N 50/60HZ - 0623
- FUSE DEFINITION : 0623 E
- BRAND : FAGOR
- DOOR OPENING : R RIGHT
- WASHING SYSTEM : SW-IWASHING SOLID
- SHOWER : S-RETRACTIL SHOWER.
- RACK : GN TRAY
- SOUS VIDE & THERMAL PROBE : NO
- CONNECTIVITY : K-WITH IOT CONNECTIVITY
- CERTIFICATION : CE





Catalogue
FOOD SERVICE
Chapter
OVENS

Specific model
AW-0623-E R SW S K 400V 3N 50/60Hz

19106933

14/05/2024

- REG4 : NO REG4

POSSIBLE ACCESSORIES :

- EXHAUST HOOD
- SUPPORTS OVENS
- PASTRY GUIDES
- SPECIFIC FOR 0623
- COOKING ACCESSORIES O

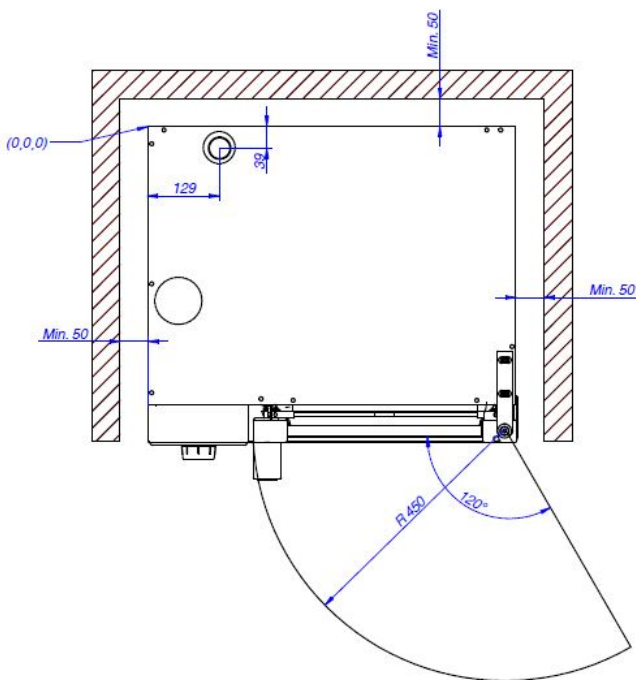
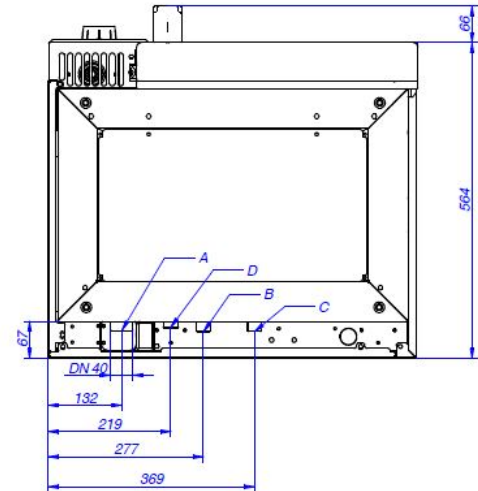
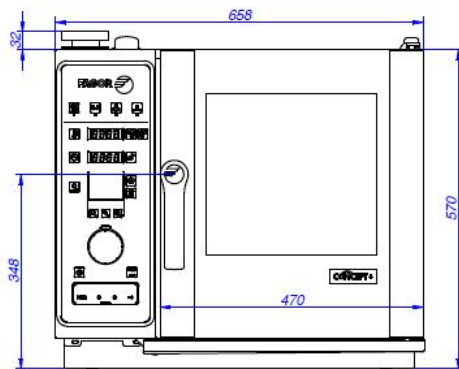


Catalogue
FOOD SERVICE
Chapter
OVENS

Specific model
AW-0623-E R SW S K 400V 3N 50/60Hz

19106933

14/05/2024



- A: DESAGUE DN40
- B: ENTRADA DE AGUA BLANDA
- C: ENTRADA DE AGUA DURA
- D: ALIMENTACIÓN ELÉCTRICA
- A: ÉGOUTTER DN40
- B: ENTRÉE D'EAU DOUCE
- C: ENTRÉE D'EAU DURE
- D: PUISSANCE
- A: DRAIN CONNECTION DN40
- B: SOFT WATER CONNECTION
- C: HARD WATER CONNECTION
- D: ELECTRICAL SUPPLY
- A: ABLASSEN DN40
- B: WEICHEM WASSERZULAUF
- C: HARTEM WASSERZULAUF
- D: POWER
- A: SCARICO DN40
- B: INGRESSO DELL'ACQUA DOLCE
- C: INGRESSO DELL'ACQUA DURA
- D: POTENZA