



# PS-12 MEAT GRINDER

Hourly output: up to 100 kg.



- ✓ Height: 410 mm
- Net weight: 17.3 kg
- Noise level (1m.): <70 dB(A)
- Background noise: 32 dB(A)
- IP Protection grade: 21
- Crated dimensions  
340 x 480 x 340 mm
- Gross weight: 18.9 kg

## AVAILABLE MODELS

1050110 Meat mincer PS-12 230/50/1

1050111 Meat mincer PS-12 220/60/1

\* Ask for special versions availability

## SALES DESCRIPTION

- ✓ Motor unit and cutting unit in aluminium.
- ✓ System: Enterprise.
- ✓ 1 knife and a Ø 6 mm mesh plate included.

### Ideal for foodservice, communities and food retail.

- ✓ Body and hopper in stainless steel.
- ✓ Mincing head blockage that ensures a perfect cut.
- ✓ Sturdy and ventilated motor.

## INCLUDES

- ✓ Enterprise system, aluminium cutting unit.
- ✓ Ø 6 mm mesh plate.

## OPTIONAL

- Mesh plates of different sizes: 4.5 / 6 / 8 mm.

## ACCESSORIES

- Mesh plates

## SPECIFICATIONS

Production / hour (max): 100 kg

Plate diameter: 70 mm

Inlet mouth diameter (1) : 45 mm

Total loading: 440 W

### External dimensions (W x D x H)

- ✓ Width: 227 mm
- ✓ Depth: 470 mm

DYNAMIC PREPARATION  
COMMERCIAL MEAT MINCERS

product sheet  
updated 27/11/2024



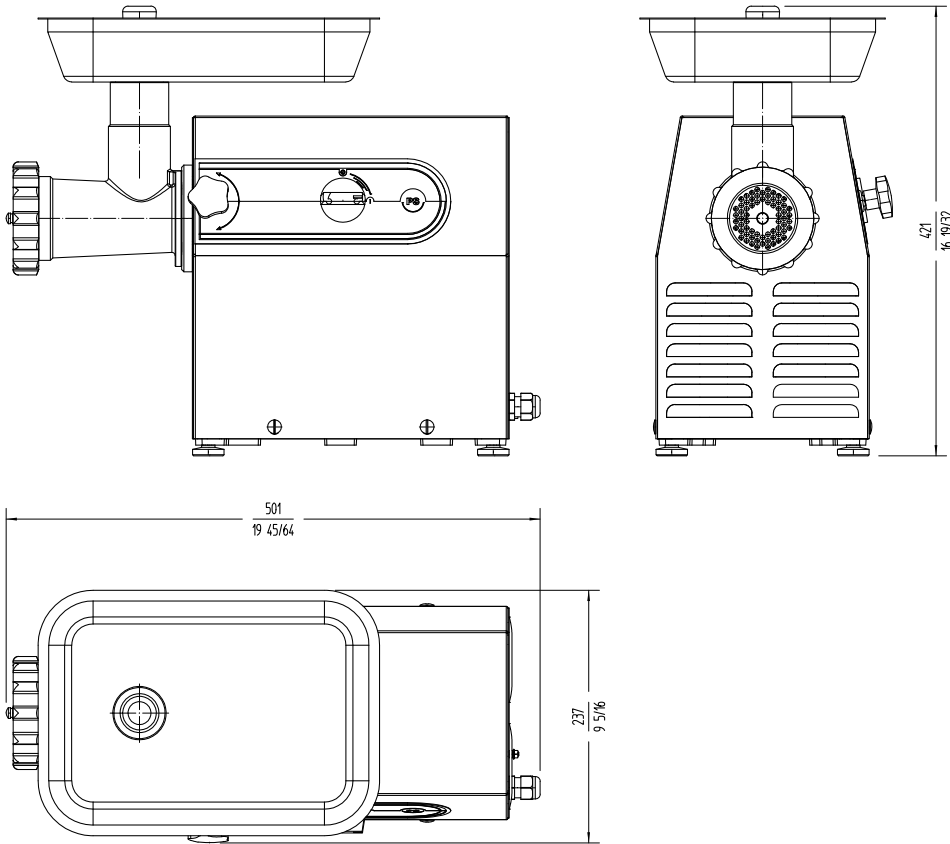


# PS-12 MEAT GRINDER

Hourly output: up to 100 kg.



DYNAMIC PREPARATION  
COMMERCIAL MEAT MINCERS



**sammic** | [www.sammic.com](http://www.sammic.com)  
Food Service Equipment Manufacturer

Polígono Basarte, 1. phone +34 943 15 72 36  
20720 Azkoitia, Spain [sales@sammic.com](mailto:sales@sammic.com)



Project	Date
Item	Qty
Approved	

product sheet  
updated 27/11/2024