



POTATO PEELER PI-20

20 kg / 44 lb load per cycle.



DYNAMIC PREPARATION
COMMERCIAL POTATO PEELERS

SALES DESCRIPTION

- ✓ Stainless steel construction commercial potato peeler.
- ✓ Also suitable to peel carrots and other similar products.
- ✓ 0-6 min timer.
- ✓ Removable turntable for easy cleaning.

Robust and efficient construction

- ✓ Construction in stainless steel.
- ✓ Lateral stirrers covered with silicon carbide abrasive (approved by NSF).
- ✓ Aluminium base plate lined with silicon carbide abrasive (approved by NSF), easily removable for cleaning purposes.

User comfort

- ✓ 0-6 min timer.
- ✓ Possibility of continuous operation.

Maximum safety and hygiene

- ✓ Auto-drag of waste to the drain.
- ✓ Lifiable transparent cover, complete with locking and safety device.
- ✓ Aluminium door with hermetic seal and safety device.
- ✓ Waterproof control board (IP65): Improved reliability against moisture and water splash.
- ✓ Water inlet system with non-return air break.
- ✓ Auxiliary contact for external electric valve.

Energy efficiency

- ✓ Energy efficiency owing to engine optimisation.

OPTIONAL

- Stainless steel floor stand complete with filter with no-foam feature.

ACCESSORIES

- Stands for potato peelers
- Filters for potato peelers M / PI / PES

SPECIFICATIONS

Hourly production: 400 kg / 480 kg
 Capacity per load: 20 kg
 Timer (min-max): 0' - 6'
 Total loading: 550 W

External dimensions (W x D x H)

- ✓ Width: 433 mm
- ✓ Depth: 635 mm
- ✓ Height: 786 mm

External dimensions with stand

- ✓ Width with stand: 433 mm
- ✓ Depth with stand: 638 mm
- ✓ Height with stand: 1155 mm

Net weight: 38/36 kg

Noise level (1m.): 70 dB(A)

Background noise: 32 dB(A)

Water intake: 12 mm

Drain diameter: 80 mm

Crated dimensions
670 x 470 x 930 mm

AVAILABLE MODELS

1000618 Potato peeler PI-20 120/60/1

1000660 Potato peeler PI-20 230-400/50/3N

1000661 Potato peeler PI-20 230/50/1

1000662 Potato peeler PI-20 220-380/60/3N

1000663 Potato peeler PI-20 220/60/1

* Ask for special versions availability



product sheet
updated 25/11/2024

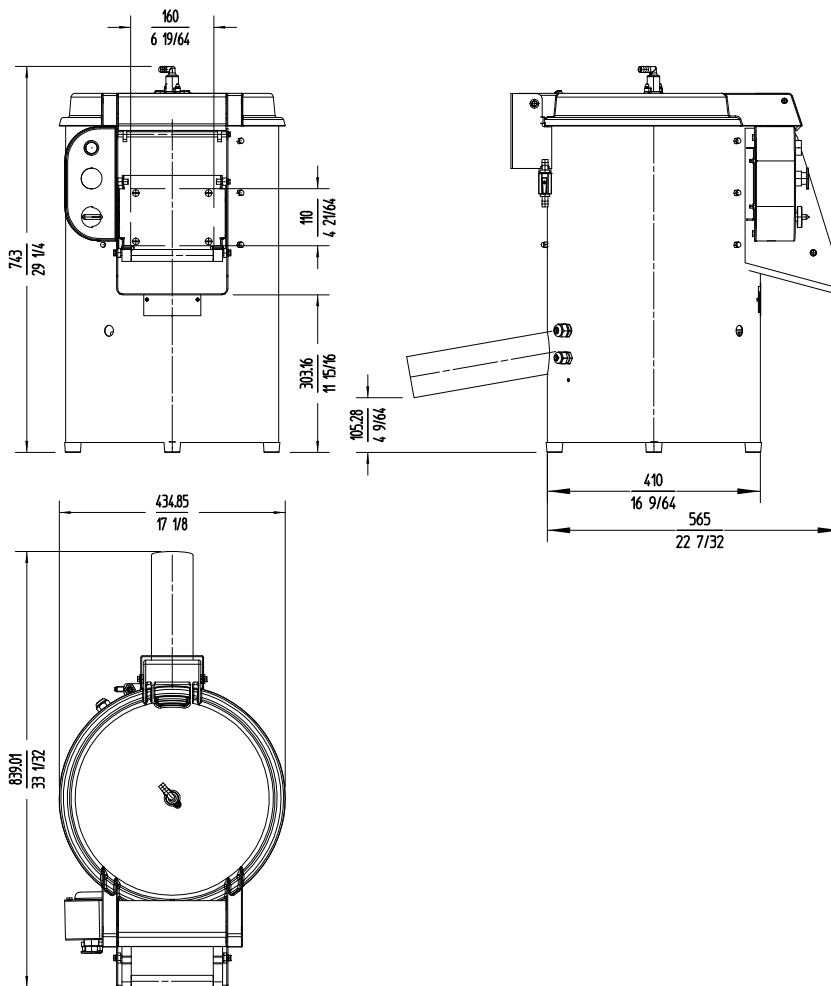


POTATO PEELER PI-20

20 kg / 44 lb load per cycle.



DYNAMIC PREPARATION
COMMERCIAL POTATO PEELERS



sammic | www.sammic.com
Food Service Equipment Manufacturer

Polígono Basarte, 1. phone +34 943 15 72 36
20720 Azkoitia, Spain sales@sammic.com



Project	Date
Item	Qty
Approved	

product sheet
updated 25/11/2024