



# POTATO PEELER PI-10

10 kg / 22 lb load per cycle.



DYNAMIC PREPARATION  
COMMERCIAL POTATO PEELERS

## ACCESSORIES

- Stands for potato peelers
- Filters for potato peelers M / PI / PES

## SPECIFICATIONS

Hourly production: 200 kg / 240 kg  
 Capacity per load: 10 kg  
 Timer (min-max): 0' - 6'  
 Single Phase: 550 W  
 Three phase: 370 W

### External dimensions (W x D x H)

435 x 635 x 668 mm

### External dimensions with stand

433 x 638 x 1040 mm

Net weight: 36/34 kg

Noise level (1m.): 70 dB(A)

Background noise: 32 dB(A)

## AVAILABLE MODELS

1000608	Potato peeler PI-10 120/60/1
1000650	Potato peeler PI-10 230-400/50/3N
1000651	Potato peeler PI-10 230/50/1
1000652	Potato peeler PI-10 220-380/60-3N
1000653	Potato peeler PI-10 220/60/1

\* Ask for special versions availability

## SALES DESCRIPTION

- ✓ Stainless steel construction commercial potato peeler.
- ✓ Also suitable to peel carrots and other similar products.
- ✓ 0-6 min timer.
- ✓ Removable turntable for easy cleaning.

### Robust and efficient construction

- ✓ Construction in stainless steel.
- ✓ Lateral stirrers covered with silicon carbide abrasive (approved by NSF).
- ✓ Aluminium base plate lined with silicon carbide abrasive (approved by NSF), easily removable for cleaning purposes.

### User comfort

- ✓ 0-6min timer.
- ✓ Possibility of continuous operation.

### Maximum safety and hygiene

- ✓ Auto-drag of waste to the drain.
- ✓ Lifiable transparent cover, complete with locking and safety device.
- ✓ Aluminium door with hermetic seal and safety device.
- ✓ Waterproof control board (IP65): Improved reliability against moisture and water splash.
- ✓ Water inlet system with non-return air break.
- ✓ Auxiliary contact for external electric valve.

### Energy efficiency

- ✓ Energy efficiency owing to engine optimisation.

## OPTIONAL

- Stainless steel floor stand.
- Filter with no-foam feature.



product sheet  
updated 11/11/2024

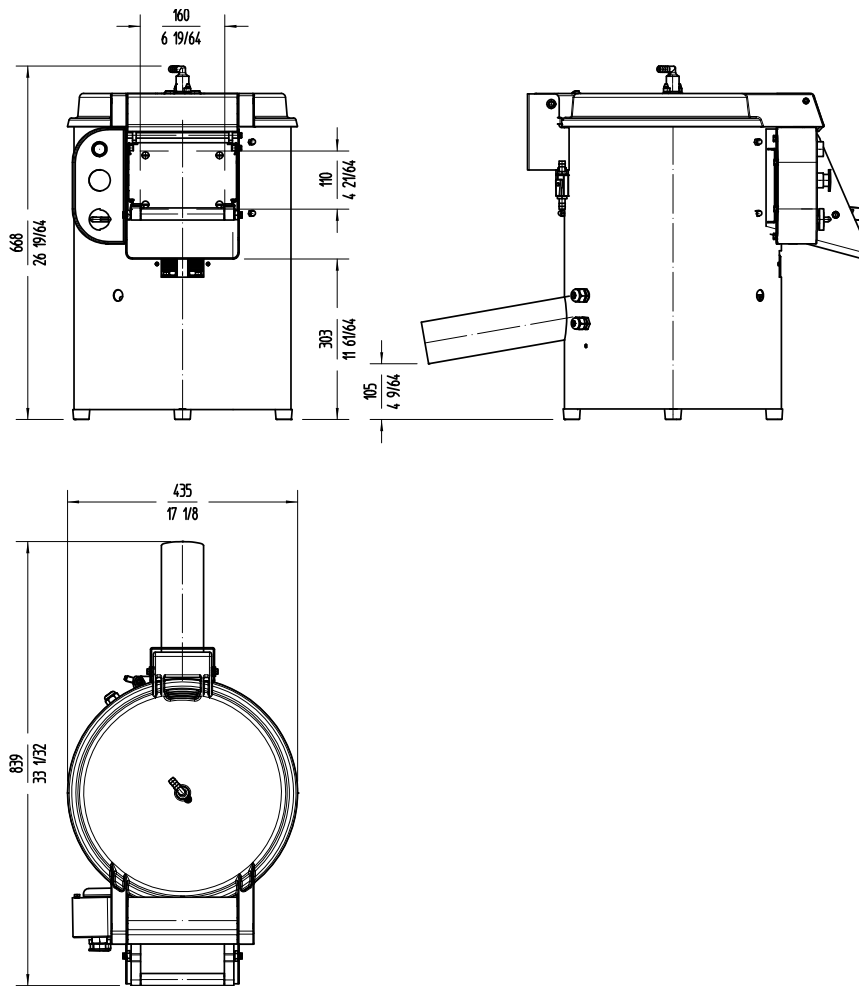


# POTATO PEELER PI-10

10 kg / 22 lb load per cycle.



DYNAMIC PREPARATION  
COMMERCIAL POTATO PEELERS



**sammic** | [www.sammic.com](http://www.sammic.com)  
Food Service Equipment Manufacturer

Polígono Basarte, 1. phone +34 943 15 72 36  
20720 Azkoitia, Spain [sales@sammic.com](mailto:sales@sammic.com)



Project	Date
Item	Qty
Approved	

product sheet  
updated 11/11/2024