



Catalogue
FOOD SERVICE
Chapter
COOKING

Specific model
F-E7115 400V 3N 50/60Hz 1C

19071300

04/09/2023

DENOMINATION:

Electric fryer, 1 tank of 15 L, 700 range.

DESCRIPTION :

- "- Surface tops manufactured in 1.5 mm thick AISI-304 stainless steel.
- Laser-cut joints, automatic welding and polishing Hidden screws.
- Wells built into the surface top with robotic welding and polishing.
- Cold area in the lower part of the well which helps to preserve the characteristics and quality of the oil used for longer.
- Thermostatic temperature control, between 60 and 200 °C.
- Safety thermostat in all models.
- Fitted with individual lids for each well.
- High power machines that heat up quickly and have a high power - litre ratio (up to 1.00 kW/litre)."
- "- Floor model.
- Drainage of oil from the well through a mechanical ball valve which is robust, reliable and resistant to high temperatures. "
- Electric models with AISI 304 stainless steel heating elements located inside the well which can be tilted by over 90° to ensure perfect cleaning.

POSSIBLE OPTIONS :

- 230 1N- Transformation A 230 V single phase
- 230 III - A 230 V three-phase transformation without neutral
- MARINE - Other machines - Ship transformation - 440 III

POSSIBLE ACCESSORIES :

- FOOD SERVICE
- FRYER ACCESSORIES KORE
- KORE WHEELS

SUPPLIED ACCESSORIES:

- 12233189 Complete basket F-7-15I 1

DIMENSIONS



X Width	400 mm	X Gross width	440 mm
Y Depth	730 mm	Y Gross depth	822 mm
Z Height	850 mm	Z Gross height	1255 mm
Net Weight	60,0 kg	Gross Weight	75,0 kg
Net volume	0,250 m3	Gross volume	0,454 m3

ELECTRICITY TECHNICAL SPECIFICATIONS

Electric power	12,000 kW
Amperage (A)	17,4A
Heating power	12,00 kW
Voltage	400V - 3N
Electric frequency	50/60Hz

CONNECTIONS TECHNICAL SPECIFICATIONS

230 V three-phase wiring	3X6MM2+T
Single-phase 230V wiring	2X10MM2+T
Three-phase +N 400V wiring	3X2,5MM2+T+N



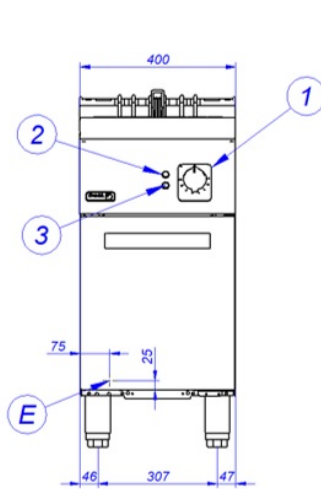
Catalogue
FOOD SERVICE
Chapter
COOKING

Specific model
F-E7115 400V 3N 50/60Hz 1C

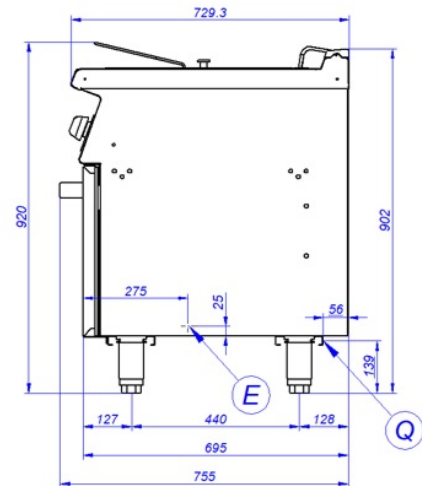
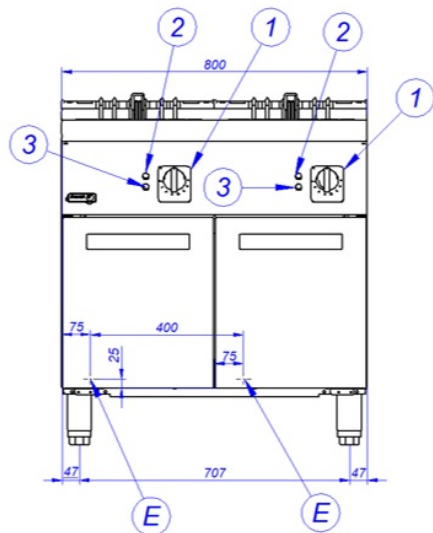
19071300

04/09/2023

F-E7115



F-E7215



E – Conexión eléctrica
Q – Conexión equipotencial
1 – Mando termostato
2 – Piloto verde
3 – Piloto ámbar
4 – Mando entrada agua

Electrical connection
Equipotential connection
Thermostat control
Green pilot
Ambar pilot
Water control

Connexion électrique
Connexion équipotentiel
Commande de thermostat
Lumière verte
Lumière ambre
Commande d'entrée d'eau